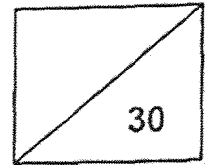




Maha Bodhi School  
2025 Weighted Assessment 2  
Mathematics  
Primary 3



Name: \_\_\_\_\_ ( )

Class: Primary 3 \_\_\_\_\_

Duration: 45 minutes

Date: 25 August 2025

Parent's Signature: \_\_\_\_\_

Section A (12 marks)

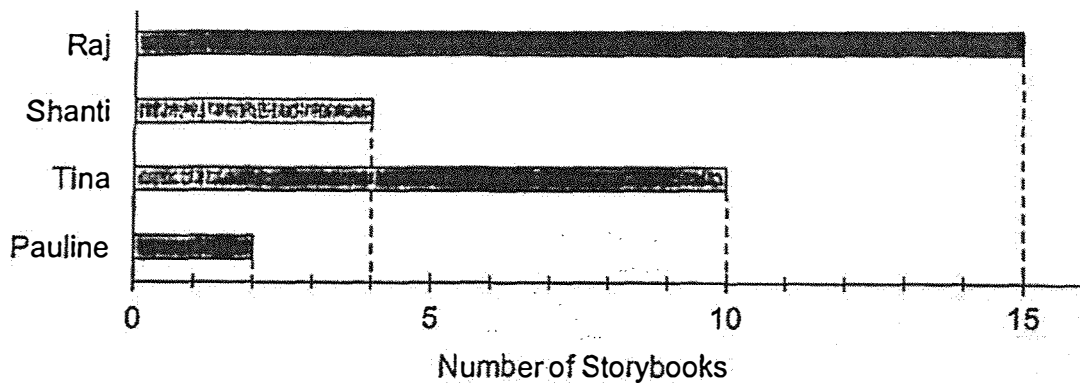
Questions 1 to 6 carry 2 marks each.

For each question, four options are given. One of them is the correct answer.

Make your choice (1, 2, 3 or 4) and write your choice in the bracket ( ) provided.

1. The bar graph shows the number of storybooks that the children read in December.

Storybooks Read in December

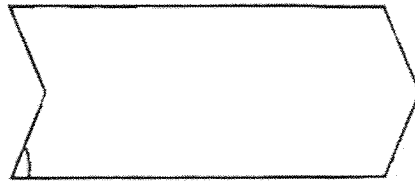


How many books did Raj and Shanti read altogether?

- (1) 25  
(2) 19  
(3) 15  
(4) 4

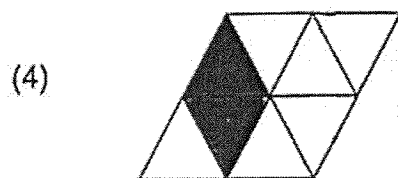
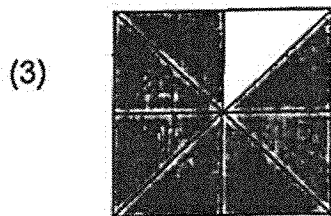
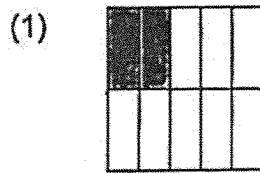
( )

2. How many acute angles are there inside the figure below?



- (1) 6
- (2) 2
- (3) 3
- (4) 4

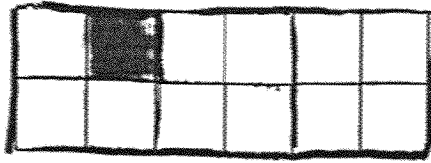
3. Which of the following shows that  $\frac{1}{4}$  of the figure is shaded?



The figure below is made up of equal squares.

Henry wants to have  $\frac{2}{3}$  of the figure shaded.

How many more squares does he need to shade?



- (1) 1
- (2) 8
- (3) 7
- (4) 4

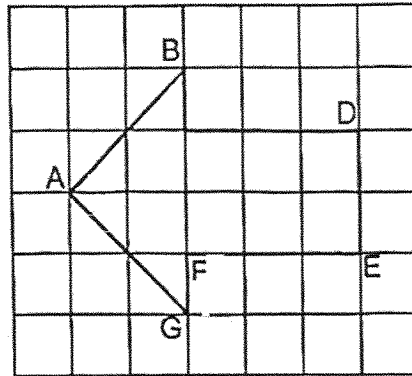
5. Arrange these fractions from the greatest to the smallest.

$$\frac{1}{2}, \frac{3}{8}, \frac{7}{9}$$

- |     | <u>Greatest</u> |   | <u>Smallest</u>               |
|-----|-----------------|---|-------------------------------|
| (1) | $\frac{3}{8}$   | , | $\frac{1}{2}$ , $\frac{7}{9}$ |
| (2) | $\frac{1}{2}$   | , | $\frac{3}{8}$ , $\frac{7}{9}$ |
| (3) | $\frac{7}{9}$   | , | $\frac{1}{2}$ , $\frac{3}{8}$ |
| (4) | $\frac{7}{9}$   | , | $\frac{3}{8}$ , $\frac{1}{2}$ |

( )

6. The diagram shows lines on a square grid.



Which of the following is true?

- (1)  $BC \parallel AG$
- (2)  $CD \parallel FG$
- (3)  $AB \perp BC$
- (4)  $AB \perp AG$

( )

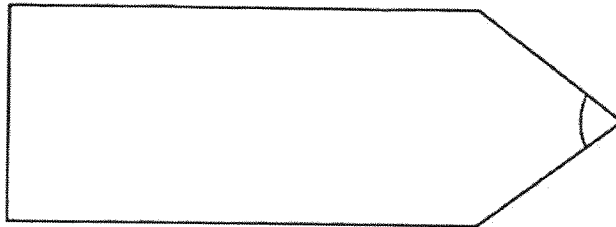
Section B (12 marks)

Questions 7 to 12 carry 2 marks each.

Show your working clearly and write your answers in the spaces provided.

For questions which require units, give your answers in the units stated.

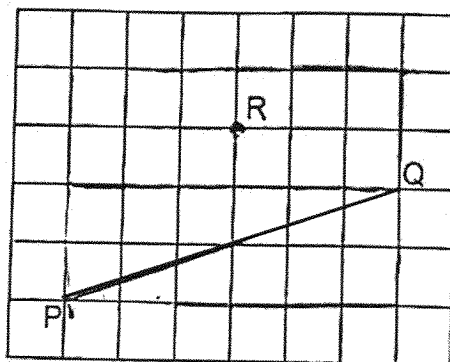
7. (a) Mark the remaining angles inside the shape.



- (b) How many right angle(s) are there?

Ans: (b) \_\_\_\_\_

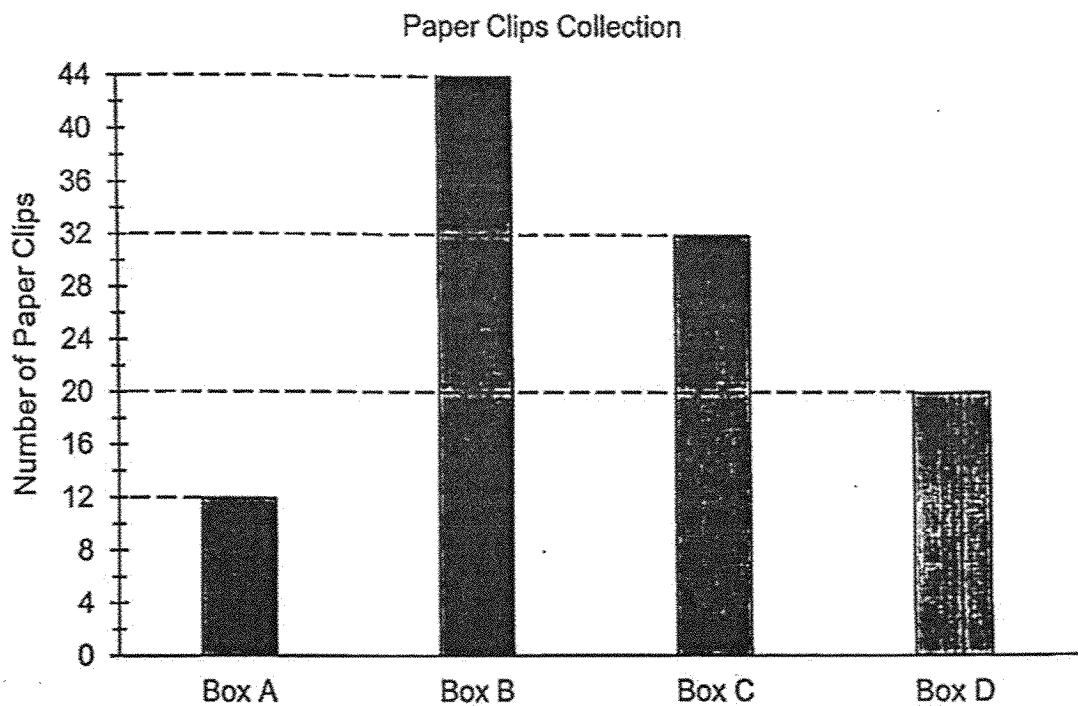
8. A line PQ is drawn in the square grid below.  
Draw a line parallel to PQ passing through point R.



9. Write  $\frac{14}{42}$  in its simplest form.

Ans: \_\_\_\_\_

10. The graph below shows the number of paper clips in four different boxes.



How many paper clips must be taken from Box B and placed in Box D so that the two boxes will have the same number of paper clips?

Ans: \_\_\_\_\_

14

11. Amber ate  $\frac{1}{8}$  of a pizza and Danny ate  $\frac{1}{4}$  of the same pizza.

What fraction of the pizza was left?

Ans: \_\_\_\_\_

12. What is the missing fraction in the box?

$$\boxed{\phantom{\frac{1}{10}}} + \frac{1}{10} = \frac{2}{5}$$

Ans: \_\_\_\_\_

$\frac{1}{4}$

Section C (6 marks)

Questions 13 and 14 carry 3 marks each.

Show your working clearly and write your answers in the spaces provided. The number of marks available is shown in brackets [ ] at the end of each question.

13. Mr Lim packed some muffins and fruit tarts into boxes.  
He packed 3 muffins and 6 fruit tarts into each box.  
There was a total of 174 fruit tarts in all the boxes.  
How many muffins did Mr Lim pack altogether?

Ans: \_\_\_\_\_ [3]

14. Marvin had 278 more cards than Sally at first.  
After Sally gave 87 cards to Marvin, Marvin had 3 times as many cards as Sally.  
How many cards did Sally have in the end?

Ans: \_\_\_\_\_ [3]

13




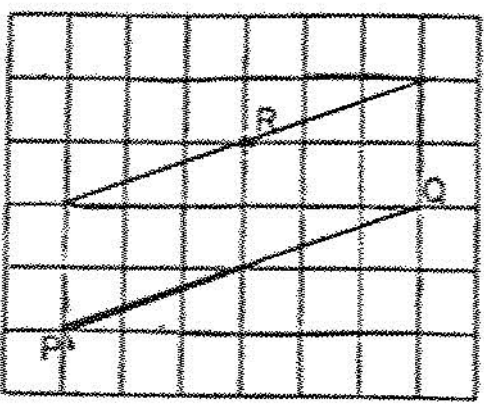
*Remember to check your work!*

*~ End of Paper ~*

[www.sgexam.com](http://www.sgexam.com)

**SCHOOL : MAHA BODHI PRIMARY SCHOOL**  
**LEVEL : PRIMARY 3**  
**SUBJECT : MATHEMATICS**  
**TERM : 2025 WEIGHTED ASSESSMENT 2**

Q1	Q2	Q3	Q4	Q5	Q6				
2	2	4	3	3	4				

Q7	<p>a)</p>  <p>b) 2</p>
Q8	
Q9	$\frac{14}{42} = \frac{1}{3}$
Q10	$44 + 20 = 64$ $64 \div 2 = 32$ $32 - 20 = 12$
Q11	$1 - \frac{1}{8} - \frac{1}{4} = 1 - \frac{1}{8} - \frac{2}{8} = \frac{5}{8}$
Q12	$\frac{2}{5} - \frac{1}{10} = \frac{4}{10} - \frac{1}{10} = \frac{3}{10}$
Q13	$174 \div 6 = 29$ $29 \times 3 = 87$
Q14	$2 \text{ units} = 87 + 278 + 87 = 452$ $1 \text{ unit} = 452 \div 2 = 226$

[www.sgexam.com](http://www.sgexam.com)