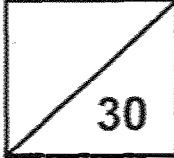




Rosyth School
Weighted Assessment 2025 (Term Three)
MATHEMATICS
Primary 3

Total
Marks: 

Name: _____

Class: P3 _____ Register No. _____ Duration: 45 min

Date: _____ Parent's Signature: _____

Instructions to Pupils:

1. Do not open the booklet until you are told to do so.
2. Follow all instructions carefully.
3. This paper consists of 3 parts, Sections A, B and C.
4. Answer all the questions.

	Maximum Marks	Marks Obtained
Section A	8 marks	
Section B	10 marks	
Section C	12 marks	
Total	30 marks	

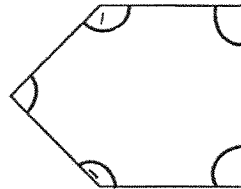
* This booklet consists of 10 printed pages (including this cover page).

Section A (8 marks)

Questions 1 to 4 carry 1 mark each. Questions 5 and 6 carry 2 marks each. For each question, four options are given. One of them is the correct answer. Make your choice (1, 2, 3 or 4). Write your answers in the brackets provided.

All diagrams in this paper are not drawn to scale unless stated otherwise.

1. In the figure below, how many of the marked angles are obtuse angles?



- (1) 1
 - (2) 2
 - (3) 3
 - (4) 4
- ()

2. Which of the following fractions is the smallest?

- (1) $\frac{1}{4}$
 - (2) $\frac{1}{5}$
 - (3) $\frac{1}{10}$
 - (4) $\frac{1}{7}$
- ()

3. Find the value of $\frac{1}{12} + \frac{1}{3}$.

(1) $\frac{1}{36}$

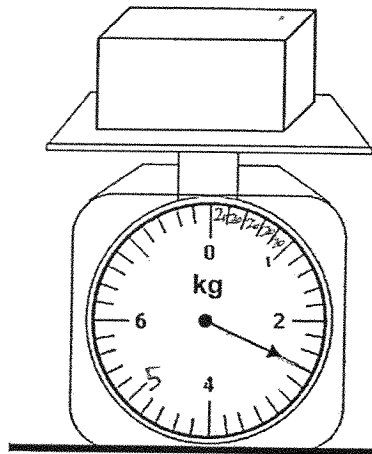
(2) $\frac{2}{12}$

(3) $\frac{2}{15}$

(4) $\frac{5}{12}$

()

4. What is the mass of the box?



(1) 230-g

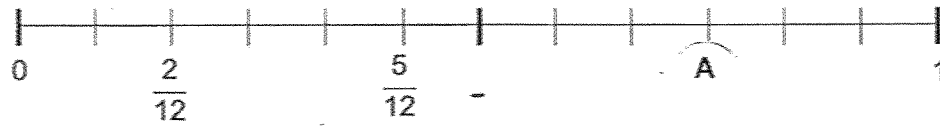
(2) 2230 g

(3) 2300 g

(4) 2600 g

()

5. What is the value of A?



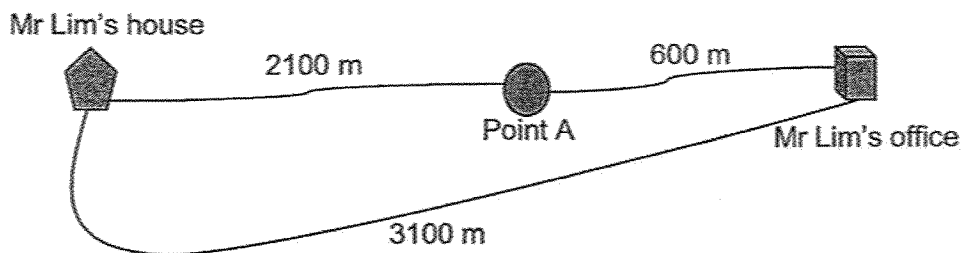
(1) $\frac{3}{12}$

(2) $\frac{8}{12}$

(3) $\frac{1}{3}$

(4) $\frac{3}{4}$ ()

6. Mr Lim walked from his house to point A and another 600 m to reach his office. Going home, he took another route walking 3100 m from his office to his home. How much longer was the route going home?



(1) 400 m

(2) 1000 m

(3) 2700 m

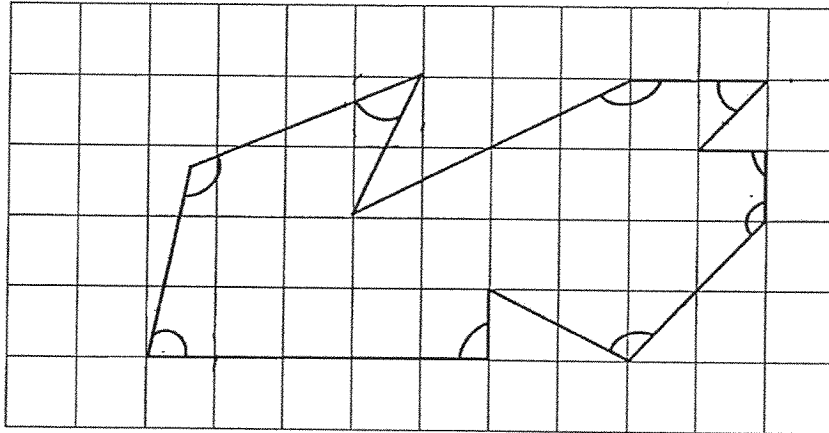
(4) 5890 m ()

Section B (10 marks)

Questions 7 to 11 carry 2 marks each. Write your answers in the spaces provided. Show your workings clearly. For questions which require units, give your answers in the units stated.

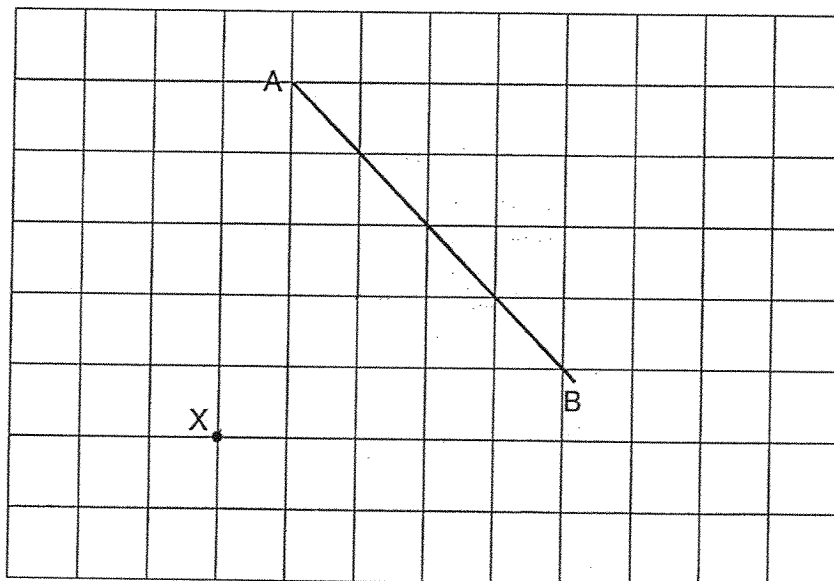
Do not write in this space

7. Study the figure below.
How many angles in the figure are smaller than a right angle?

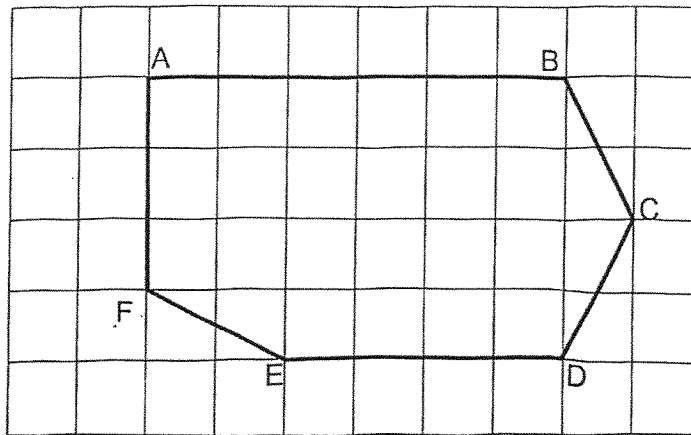


Ans: _____

8. Draw a line perpendicular to AB, passing through point X.



9. Study the figure in the square grid and fill in the blanks below.



Do not write in this space

a) Name a pair of parallel lines.

Ans: a) _____ // _____

b) Name a pair of perpendicular lines.

Ans: b) _____ ⊥ _____



10. Arrange the following fractions from the greatest to the smallest.

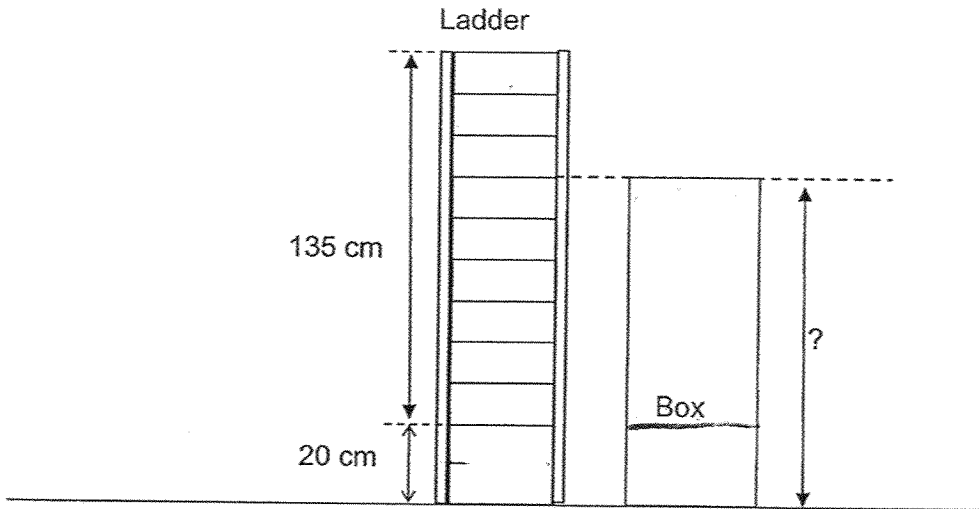
$$\frac{5}{11}, \frac{1}{2}, \frac{3}{5}$$

Ans: _____, _____, _____
(greatest)



11. A ladder has steps which are equally spaced.
Only the first step of the ladder is 20 cm above ground.
Find the height of the box.

Do not write
in this space



Ans: _____ cm

Section C (12 marks)

Questions 12 to 14 carry 4 marks each. Show your workings clearly and write your answers in the spaces provided. The number of marks available is shown in brackets [] at the end of each question or part-question. For questions which require units, give your answers in the units stated.

Do not write
in this space

12. Ahmad sold 1200 g of mushrooms on Monday. He sold 200 g more of the mushrooms on Tuesday than on Monday.

(a) What is the mass of mushrooms he sold on both days?

Ans: (a) _____ g [2]

(b) Ahmad sold some mushrooms on Wednesdays. He packed the mushrooms into 8 smaller bags. The mass of each bag of mushrooms was 300 g. Find the total mass of mushrooms Ahmad sold from Monday to Wednesday.

Ans: (b) _____ g [2]

13. Aini baked 104 chocolate muffins and 128 blueberry muffins. She packed the muffins in bags of 6.

(a) How many bags of muffins did she pack at most?

Ans: (a) _____ [2]

(b) Aini sold each bag of muffins for \$9. How much money did she receive if she sold all the bags of muffins?

Ans: (b) \$ _____ [2]

14. Ali has 300 stamps.
Bernard has 40 less stamps than Ali.
Chandra has 4 times as many stamps as Bernard.

Do not write
in this space

- (a) How many more stamps does Chandra have than Bernard?

Ans: (a) _____ [2]

-
- (b) What is the total number of stamps the children have?

Ans: (b) _____ [2]

End of Paper

SCHOOL : ROSYTH PRIMARY SCHOOL
LEVEL : PRIMARY 3
SUBJECT : MATHEMATICS
TERM : 2025 WEIGHTED ASSESSMENT 3

Q1	Q2	Q3	Q4	Q5	Q6	Q7			
2	3	4	4	4	1	3			

Q8	
Q9	<p>a) $AB \parallel ED$</p> <p>b) $AB \perp AF$</p>
Q10	$\frac{3}{5}, \frac{1}{2}, \frac{5}{11}$
Q11	$90\text{cm} + 20\text{cm} = 110\text{cm}$
Q12	<p>a) $1200 + 200 = 1400$ $1400 + 1200 = 2600$</p> <p>b) $1200 + 1400 = 2600$ $300 \times 8 = 2400$ $2600 + 2400 = 5000\text{g}$</p>
Q13	<p>a) Muffins $\rightarrow 104 + 128 = 232$ bags $\rightarrow 232 \div 6 = 38 \text{ R}4$ ANS: 38</p> <p>b) $38 \times 9 = \\$342$</p>
Q14	<p>a) $300 - 40 = 260$ $260 \times 4 = 1040$ $1040 - 260 = 780$</p> <p>b) $300 + 260 + 1040 = 1600$</p>