

Founded 1947

南侨小学
NAN CHIAU PRIMARY SCHOOL
END YEAR EXAMINATION
2025
MATHEMATICS
PRIMARY 4
SECTION A

Name / Index No.		()
Class	Primary 4 _____	
Date	24 October 2025	
Duration for Sections A, B and C	1h 30 min	
Marks	Section A	28
	Section B	42
	Section C	30
	Total	100
Parent's Signature		

Instructions to students	<ol style="list-style-type: none">1. Do NOT open this booklet until you are told to do so.2. Follow all instructions carefully.3. Answer all questions.4. Shade your answers in the Optical Answer Sheet provided.
--------------------------	---

This paper consists of 7 pages altogether.

Section A: (28 marks)

Questions 1 to 14 carry 2 marks each. For each question, four options are given. One of them is the correct answer. Make your choice (1, 2, 3 or 4) and shade your answer on the Optical Answer Sheet (OAS).

1 $80\,000 + 6000 + 400 + 2 = \underline{\hspace{2cm}}$

- (1) 86 420
- (2) 86 402
- (3) 86 042
- (4) 80 642

2 Thirty-two thousand and forty-six in figures is

- (1) 32 460
- (2) 32 406
- (3) 32 046
- (4) 3246

3 In 14.27, the digit is in the tenths place.

- (1) 1
- (2) 2
- (3) 7
- (4) 4

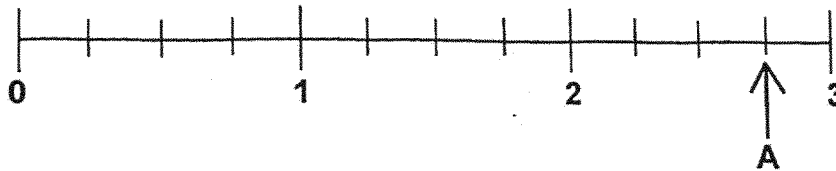
4 $5.06 + 2 = ?$

- (1) 5.08
- (2) 5.26
- (3) 7.06
- (4) 7.26

5 Which fraction is in its simplest form?

- (1) $\frac{4}{10}$
- (2) $\frac{2}{8}$
- (3) $\frac{3}{6}$
- (4) $\frac{4}{9}$

6 Which mixed number is represented by the letter A in the number line shown?

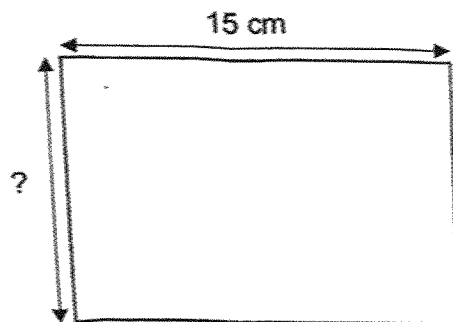


- (1) $2\frac{1}{4}$
- (2) $2\frac{3}{4}$
- (3) $3\frac{1}{4}$
- (4) $3\frac{3}{4}$

Sally had 1 m 10 cm of string. She used 25 cm of it to tie a parcel.
What is the length of the string she had left?

- (1) 15 cm
- (2) 45 cm
- (3) 85 cm
- (4) 135 cm

- 8 The perimeter of a rectangle is 54 cm. Its length is 15 cm.
Find its breadth.

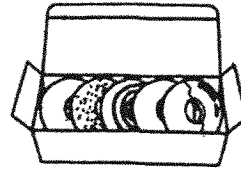


- (1) 12 cm
- (2) 24 cm
- (3) 27 cm
- (4) 39 cm

- 9 Metta bought an equal number of cupcakes and doughnuts. Find the least amount of money that she could have spent.



2 cupcakes for \$7



5 doughnuts for \$10

- (1) \$ 14
(2) \$ 50
(3) \$ 55
(4) \$ 64
- 10 Anna had 2 kg of sugar. She packed them equally into 5 bags. How much sugar was there in each bag?

- ~~(1)~~ 7 kg
~~(2)~~ 2.5 kg
(3) 3 kg
(4) 0.4 kg

11 Arrange the following fractions from the greatest to the smallest.

$$\frac{3}{4}, \frac{1}{2}, \frac{5}{8}$$

greatest *smallest*

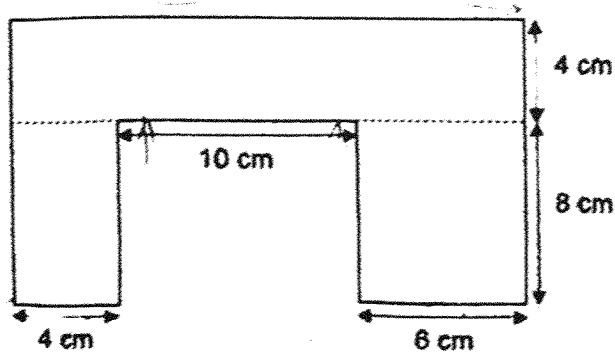
(1) $\frac{3}{4}$ $\frac{5}{8}$ $\frac{1}{2}$

(2) $\frac{3}{4}$ $\frac{1}{2}$ $\frac{5}{8}$

(3) $\frac{5}{8}$ $\frac{3}{4}$ $\frac{1}{2}$

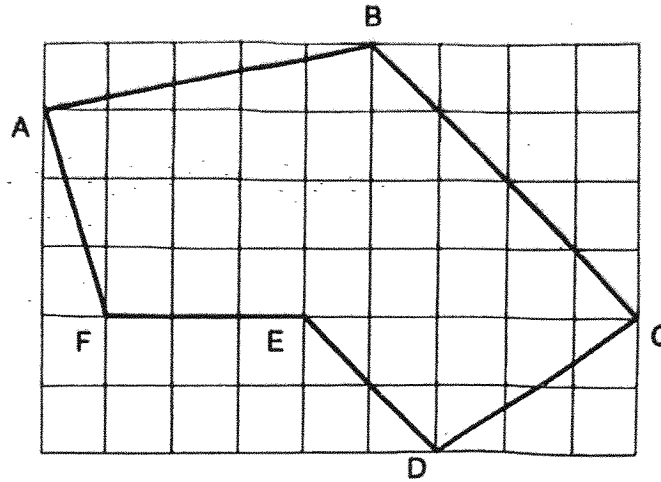
(4) $\frac{1}{2}$ $\frac{3}{4}$ $\frac{5}{8}$

12 The figure below is made up of 3 rectangles. Find the perimeter of the figure.



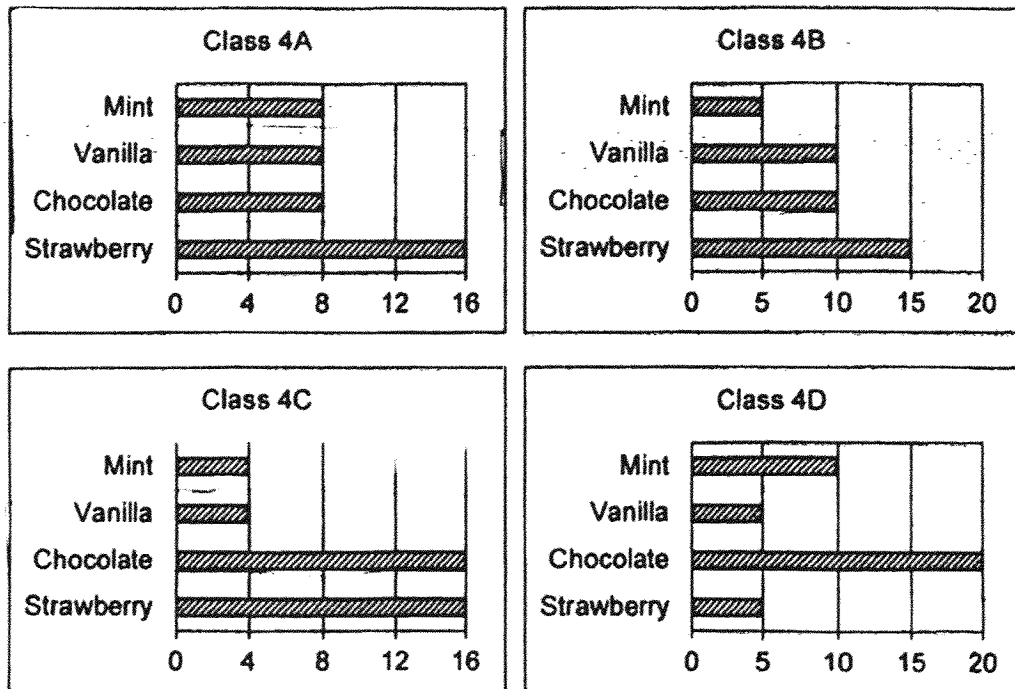
- (1) 32 cm
- (2) 64 cm
- (3) 80 cm
- (4) 90 cm

- 13 Figure ABCDEF is drawn on the square grid given.
Which of the following statements is true?



- (1) AB is perpendicular to AF.
- (2) CD is perpendicular to ED.
- (3) AB is parallel to FE.
- (4) BC is parallel to ED.

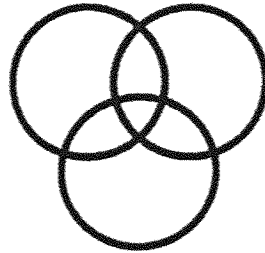
- 14 Mdm Suhailah conducted a survey of the favourite ice-cream flavours of the students in four Primary 4 classes.



Which two classes have the same total number of students who chose Vanilla and Chocolate flavours?

- (1) 4A and 4B
- (2) 4B and 4C
- (3) 4A and 4D
- (4) 4C and 4D

Continue to Sections B and C



Founded 1947

南侨小学
NAN CHIAU PRIMARY SCHOOL
END YEAR EXAMINATION
2025
MATHEMATICS
PRIMARY 4
SECTIONS B and C

Name / Index No.		()
Class	Primary 4 _____	
Date	24 October 2025	
Duration for Sections A, B and C	1h 30 min	
Marks	Section B	42
	Section C	30
Parent's Signature		

Instructions to students	<ol style="list-style-type: none">1. Do NOT open this booklet until you are told to do so.2. Follow all instructions carefully.3. Answer all questions.4. Write your answers in this booklet.5. Use a pencil, dark blue or black ballpoint pen to write your answers in the space provided for each question.6. Do not use correction fluid/tape or highlighters.
---------------------------------	--

This paper consists of 19 pages altogether.

Section B: (42 marks)

Questions 15 to 35 carry 2 marks each. For each question, show your working clearly and write your answers in the boxes provided. For questions that require units, give your answers in the units stated.

15 Arrange these numbers from the greatest to the smallest.

379 , 937 , 973 , 397

Ans:

_____	_____	_____	_____
greatest	,		smallest

16 Write the missing number in the number pattern below.

5160, 5310, 5460, _____, 5760

Ans:

--

17 Round 26 510 to the nearest hundred.

Ans:

--

--

18 Find the value of 492×8

Ans:

19 Round 17.55 to the nearest whole number.

Ans:

20 $\frac{1}{4} + \frac{5}{8} =$ _____

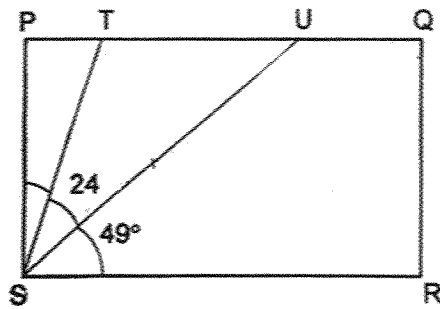
Ans:

Score:

21 Write $\frac{19}{5}$ as a mixed number.

Ans:

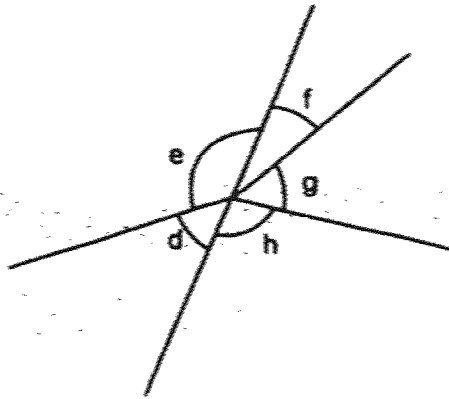
22 PQRS is a rectangle. Find $\angle PST$.



Ans:

Score:

23 Name the two angles that are greater than 90°



Ans:

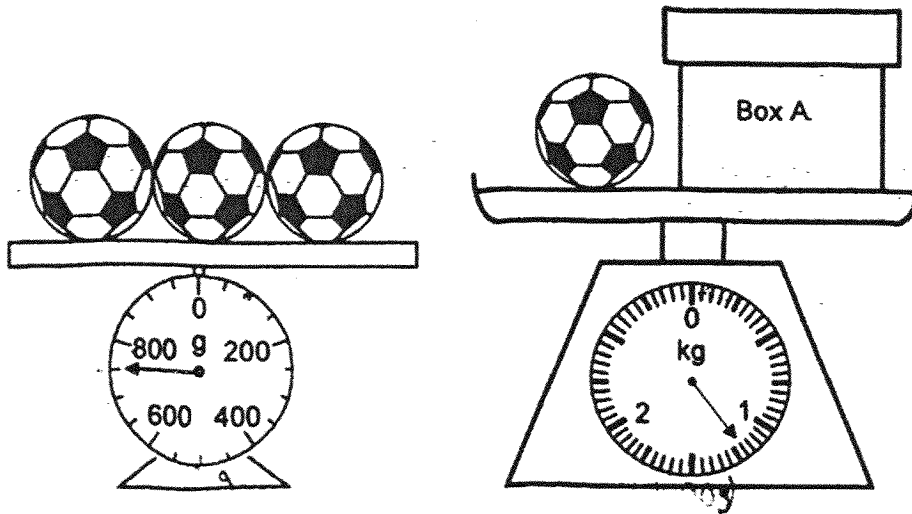
$\angle e$ and $\angle h$

24 Jerry bought a box containing 30 grapes. His brother ate 8 of them and his grandparents ate 16 of them. What fraction of the box of grapes had Jerry left? Give your answer in its simplest form.

Ans:

Score:

- 25 The footballs shown on the two weighing scales are identical
What is the mass of Box A?



Ans: g

- 26 The school reporting time for Tommy is 07 30. He left home for school at 06 00.
He reached school 10 minutes earlier than his reporting time
How long did Tommy take to travel from his home to school?

Ans: h min

Score:

27 A square has an area of 81 cm^2 . What is the perimeter of the square?

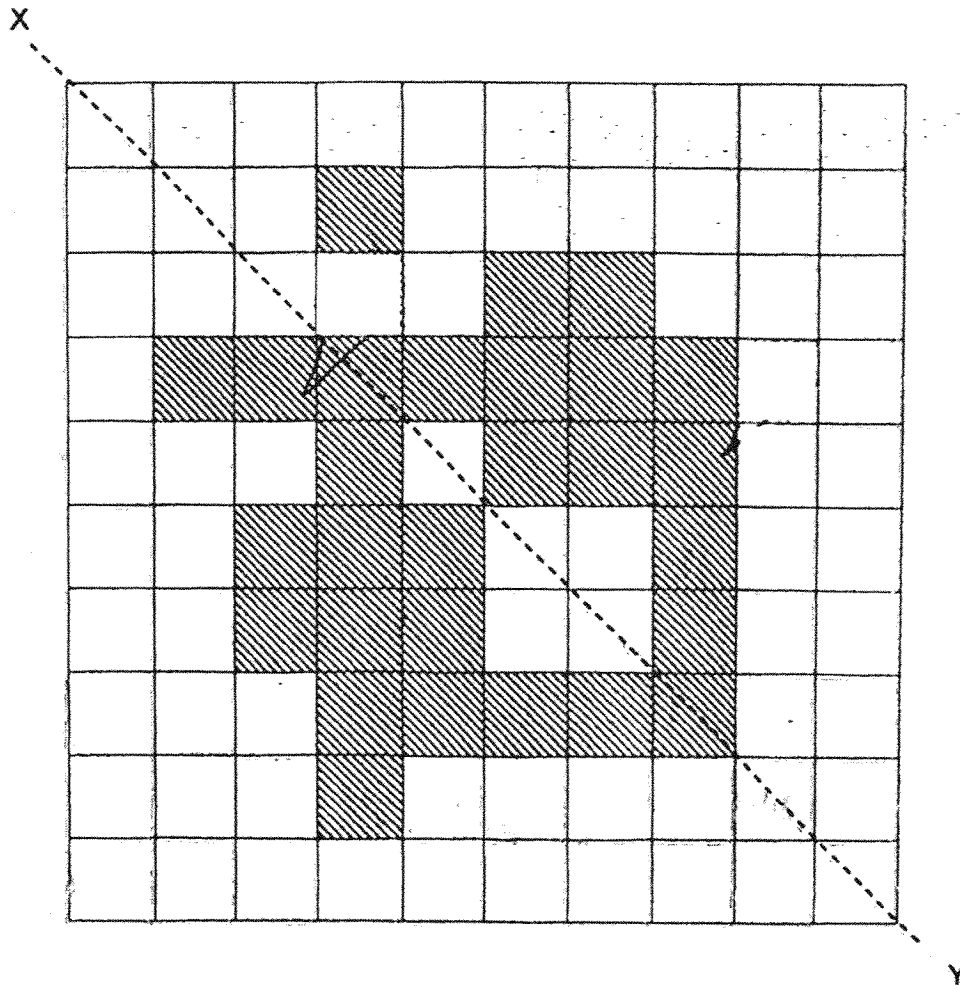
Ans:

28 Draw an angle so that $\angle ABC$ equals 125° . Draw and label your angle clearly.



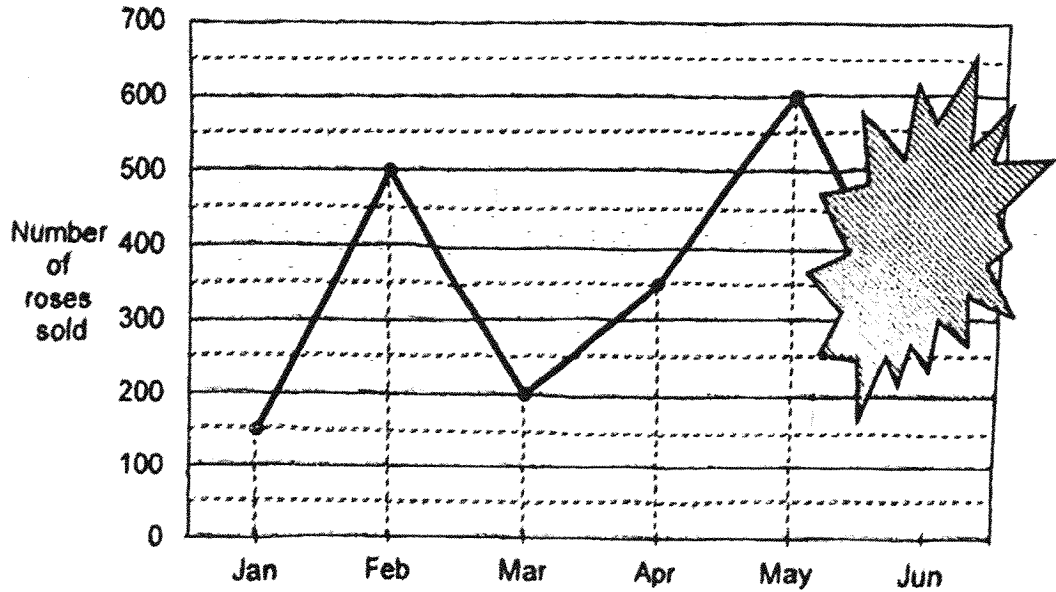
Score:

29 Complete the drawing below by shading 2 more squares so that line XY is a line of symmetry.



Use the information below to answer Questions 30 and 31.

The line graph shows the number of roses sold by a florist from Jan to Jun.



- 30 For the months of Apr to Jun, a total of 1200 roses were sold. How many roses were sold in June?

Ans:

- 31 The total number of roses sold in 2 of the months is the same as the number of roses sold in February. Which are the 2 months?

Ans: and

NCPS_P4_MA_EYE_2025

Score:

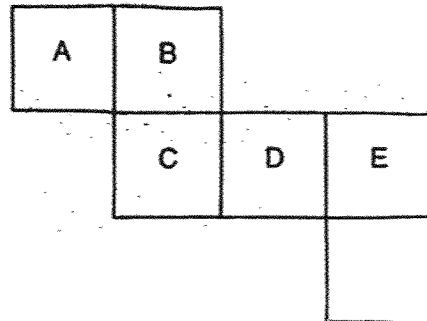
- 32 Liam had the same number of marbles as Noah.
After Liam gave Noah 18 marbles, Noah had 4 times as many marbles as Liam.
How many marbles did Liam have in the end?

Ans:

-
- 33 Maya mixed 13.59 l of water and 3.75 l of syrup to make lemonade.
She then poured all the lemonade into identical bottles of 3 l each
What is the least number of bottles Maya needed to contain all the lemonade?

Ans:

- 34 a) The diagram shows the net of a cube.
 The cube is placed with Face "B" at the bottom.
 Which face is at the top of the cube?



Ans: (a) Face _____

- b) Sheryl wrote digits 1 to 6 on the faces of the cube above and folded it to form a die. Opposite faces of the die always add up to 7.
 Fill in the missing digits in the table below.

Face	Number
A	1
B	4
C	2
D	(i) _____
E	(ii) _____
F	(iii) _____

Section C: (30 marks)

Questions 36 and 37 carry 3 marks each. Questions 38 to 43 carry 4 marks each. For each question, show your working and equations. Write your final word statement clearly. For questions that require units, give your answers in the units stated.

- 36 A school printed a total of 4398 worksheets on Monday, Tuesday and Wednesday. It printed 1220 more worksheets on Monday than on Tuesday. The number of worksheets printed on Tuesday was 3 times the number of worksheets printed on Wednesday. How many worksheets were printed on Tuesday?

Ans:
[3]

Score:

37. There is a total of 12 cars and vans in the car park.
Each car can carry 5 passengers. Each van can carry 9 passengers.
The 12 vehicles can carry 88 passengers altogether when all seats are filled.
How many cars are there?

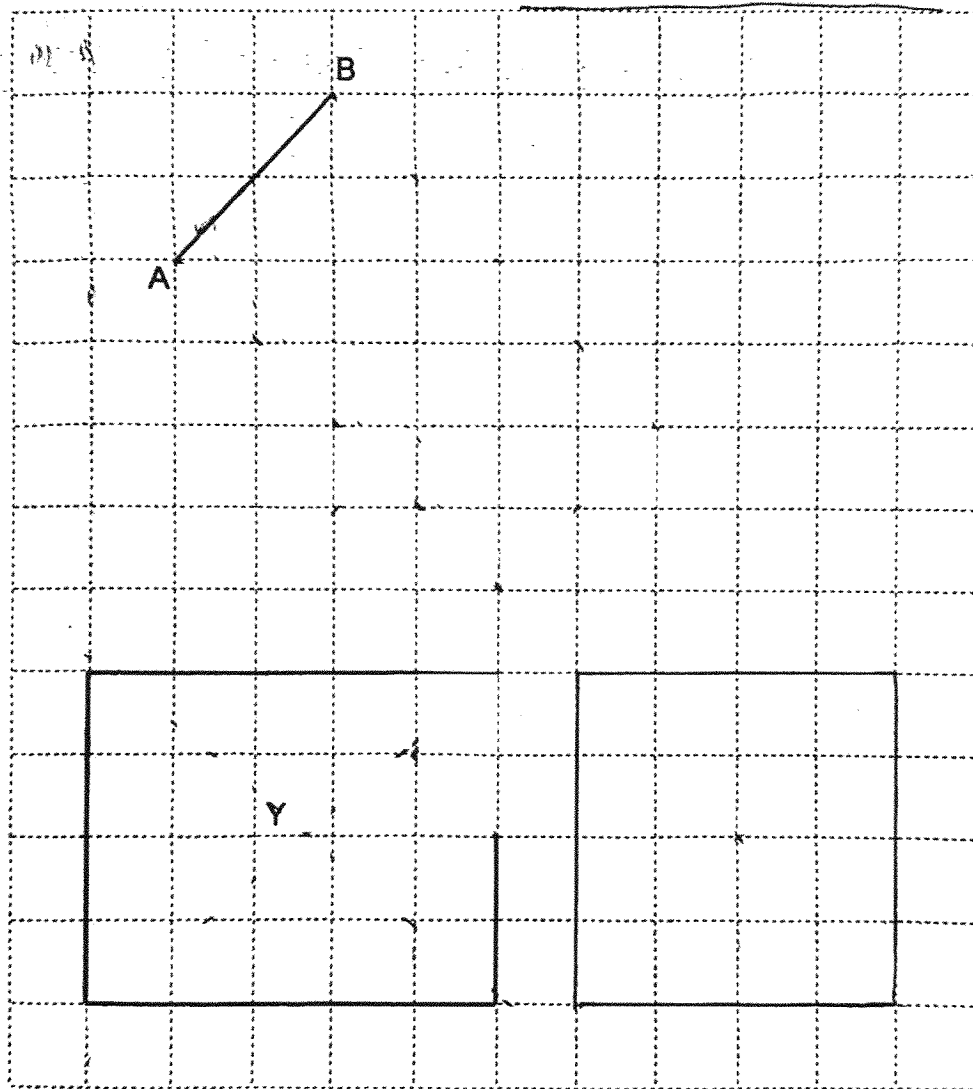
Ans:
(3)

- 38 4 identical shirts and 3 identical bags cost \$150.60.
2 such shirts and 1 such bag cost \$62.80.
Find the cost of 4 such shirts.

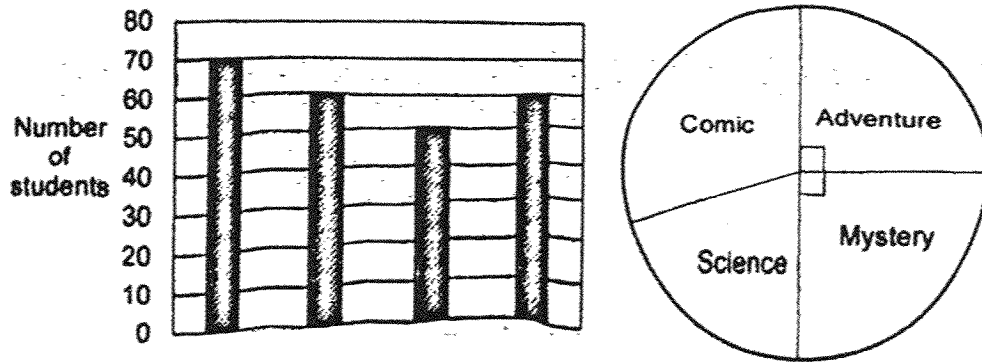
Ans:
[4] \$

Score

- 39 In the square grid below,
- (a) draw and label Rectangle ABCD where the length of Rectangle ABCD is twice its breadth. One of its breadth AB, has been drawn for you. [2]
 - (b) draw and label Square X that has half the area of Figure Y drawn below. [2]



40 The bar graph below shows the types of books read by the Primary 4 students in Sunlight Primary School. The types of books are not shown on the bar graph. The same information is shown in a pie chart too.



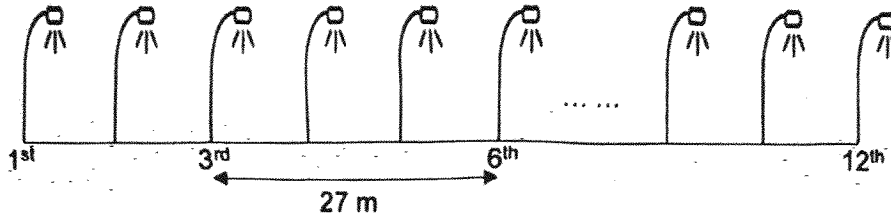
(a) How many students read comic books and adventure books altogether?

Ans: (a)
[2]

(b) How many more students read mystery books than science books?

Ans: (b)
[2]

- 41 There were 12 lampposts at equal distance along a pavement.
The distance between the 3rd lamppost and the 6th lamppost was 27 m.



- (a) What is the distance between each lamppost?

Ans: (a)
[1] m

- (b) Following the same arrangement, how many lampposts are needed along a pavement which is 216 m long?

Ans: (b)
[3]

42 Jayden and Linda bought some apples. Jayden took $\frac{5}{8}$ of the apples and Linda took the rest. Jayden took 36 more apples than Linda.

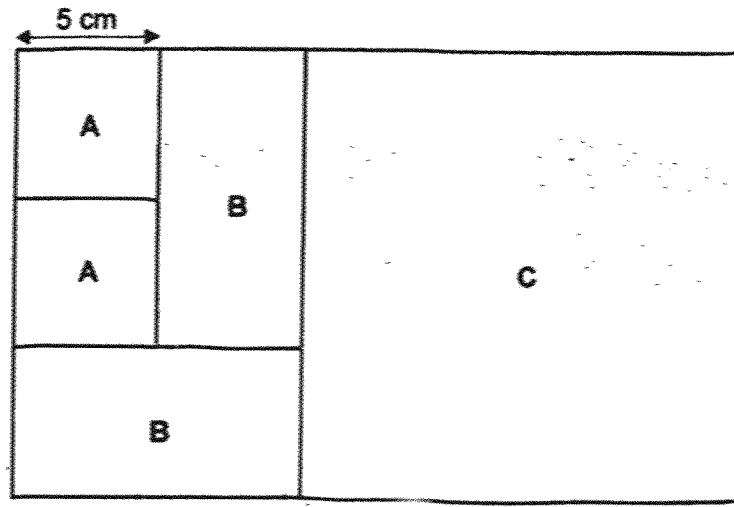
(a) How many apples did Linda take?

Ans: (a)
[2]

(b) The cost of 6 apples was \$4. How much did the basket of apples cost?

Ans: (b)
[2] \$

- 43 The figure is made up of 2 identical Square A, 2 identical Rectangle B and a Square C. The side of Square A is 5 cm.



- (a) Find the area of one Rectangle B.

Ans: (a)
[2] cm²

- (b) Find the perimeter of the figure.

Ans: (b)
[2] cm

End of Paper

Score:

SCHOOL : NAN CHIAU PRIMARY SCHOOL
LEVEL : PRIMARY 4
SUBJECT : MATHEMATICS
TERM : 2025 END OF YEAR EXAMINATION

Q1	Q2	Q3	Q4	Q5	Q6	Q7	Q8	Q9	Q10
2	3	2	3	4	2	3	1	3	4
Q11	Q12	Q13	Q14						
1	3	4	2						

Q15) 973, 937, 397, 379

Q16) 5610

Q17) 26 500

Q18) 39.36

Q19) 18

Q20) $\frac{1}{4} + \frac{5}{8} = \frac{2}{8} + \frac{5}{8}$
 $= \frac{7}{8}$

Q21) $3\frac{4}{5}$

www.sgexam.com

Q22) $49^\circ + 24^\circ = 73^\circ$
 $\angle PST = 90^\circ - 73^\circ$
 $= 17^\circ$

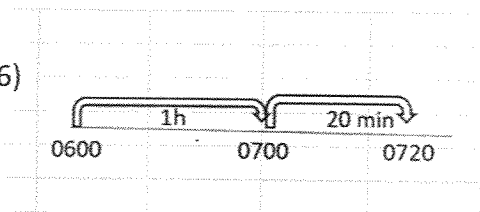
Q23) $\angle e$ and $\angle h$

Q24) $8 + 16 = 24$
 $30 - 24 = 6$
 $\frac{6}{30} = \frac{1}{5}$

Q25) 3 footballs = 750
1 football = $750 \div 3$
 $= 250$
 $1200 - 250 = 950$

Ans : 950g

Q26)

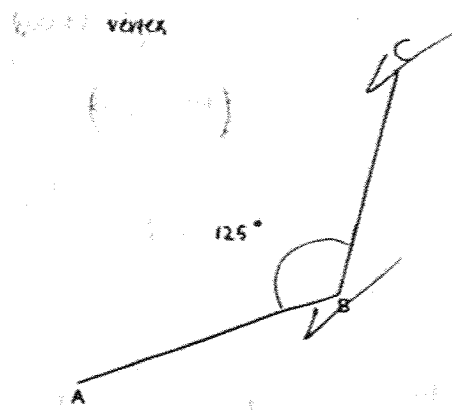


Ans: 1h 20m min

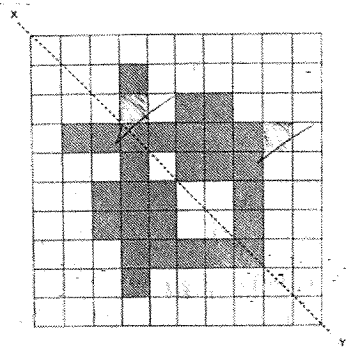
Q27) Length of square = $\sqrt{81}$
 $= 9$
Perimeter = 9×4
 $= 36 \text{ cm}$

Ans : 36 cm

Q28)



Q29)



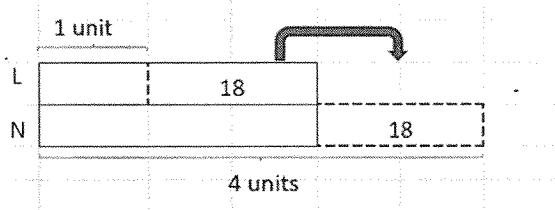
Q30) Apr to May = $350 + 600$
 $= 950$
 June = $1200 - 950$
 $= 250$

Ans: 250 roses

Q31) Feb = 500
 Jan and Apr = $150 + 350$
 $= 500$

Ans: January and April

Q32)



3 units = $18 + 18$
 $= 36$
 1 unit = $36 \div 3$
 $= 12$

Ans: 12 marbles

Q33) $13.59 + 3.75 = 17.34$
 $17.34 \div 3 = 5 \text{ R } 2.34$
 $5 + 1 = 6$

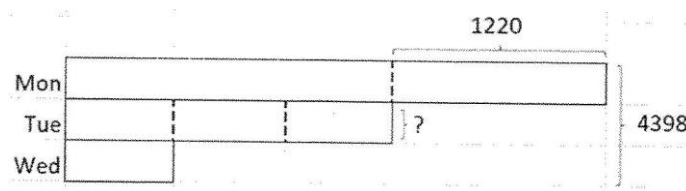
Ans : 6 bottles

Q34a) Face F

3 b) i) 6 (ii) 5 (iii) 2

Q35) Apple = orange = 80 (same as 90°)
 $90^\circ \div 2 = 45^\circ$ (pears)
 $90^\circ + 90^\circ + 45^\circ = 225^\circ$
 Watermelon = $360^\circ - 225^\circ$
 $= 135^\circ$
 $90^\circ = 80$
 $1^\circ = 80 \div 90$
 $135^\circ = (80 \div 90) \times 135$
 $= 120$
 Ans: 120 watermelons

Q36)



7 units = $4398 - 1220$
 $= 3178$
 1 unit = $3178 \div 7$
 $= 454$
 3 units = 454×3
 $= 1362$
 Ans: 1362 worksheets

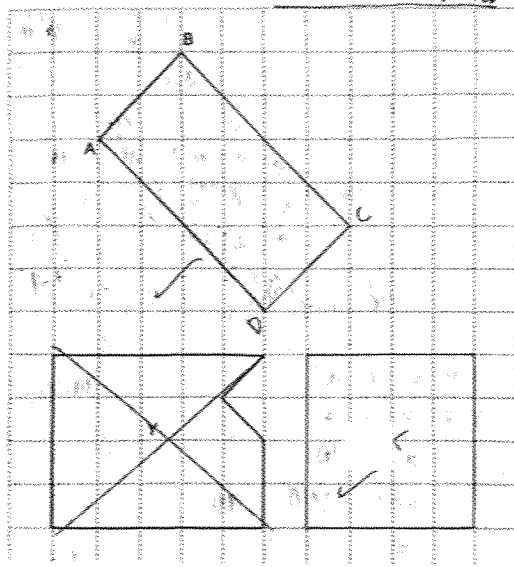
Q37)

Assume all are vans
 $12 \times 9 = 108$
 $108 - 88 = 20$
 $9 - 5 = 4$
 $20 \div 4 = 5$ (cars)
 $12 - 5 = 7$ (vans)
 Ans: 5 cars

Q38)

$4(S) + 3(B) = 150.60$
 $2(S) + 1(B) = 62.80$
 $4(S) + 2(B) = 62.80 \times 2$
 $= 125.60$
 $1(B) = 150.60 - 125.60$
 $= 25$
 $2(S) = 62.80 - 25$
 $= 37.80$
 $4(S) = 37.80 \times 2$
 $= 75.60$
 Ans: \$75.60

Q39)



Q40a) $70 + 60 = 130$

Ans (a): 130 students

b) $60 - 50 = 10$

Ans (b): 10 more students

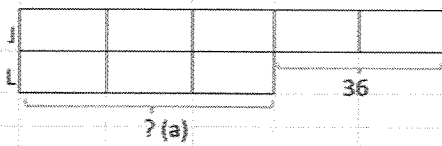
Q41a) $3 \text{ gaps} = 27$
 $1 \text{ gap} = 27 \div 3$
 $= 9$

Ans(a): 9 m

b) $216 \div 9 = 24$
 $24 + 1 = 25$

Ans (b): 15 lampposts

Q41)



(a) $2 \text{ units} = 36$
 $1 \text{ unit} = 36 \div 2$
 $= 18$
 $3 \text{ units} = 18 \times 3 = 54$

Ans (a): 54 apples

(b) $8 \text{ units} = 18 \times 8$
 $= 144$
 $6 (A) = \$4$
 $144 (A) = \frac{144}{6} \times 4$
 $= 96$

Ans (b): \$96

Q44a) Length of Rectangle B = 2×5
= 10

Area of Rectangle B = 10×5
= 50

Ans (a): 50 cm²

b) Length of Square C = 5×3
= 15

$15 + 5 + 5 = 25$

Perimeter = $25 + 25 + 15 + 15$
= 80

Ans (b): 80 cm