



Rosyth School
End-of-Year Examination
Mathematics
Primary 5
Paper 1

Name: _____

Register No. _____

Class: Pr 5 - _____

Parent's Signature: _____

Total Time for Booklets A and B : 1 hour

BOOKLET A

Instructions to Pupils:

1. Do not open this booklet until you are told to do so.
2. Follow all instructions carefully.
3. Shade your answers in the Optical Answer Sheet (OAS) provided.
4. You are not allowed to use a calculator.
5. Answer all questions.

Section	Maximum Mark	Marks Obtained
Paper 1 (Booklet A)	20	

* This booklet consists of 8 pages (including this cover page).

Questions 1 to 10 carry 1 mark each. Questions 11 to 15 carry 2 marks each. For each question, four options are given. One of them is the correct answer. Make your choice (1, 2, 3 or 4) and write your answer in the brackets provided.

All diagrams in this paper are not drawn to scale unless stated otherwise.

(20 marks)

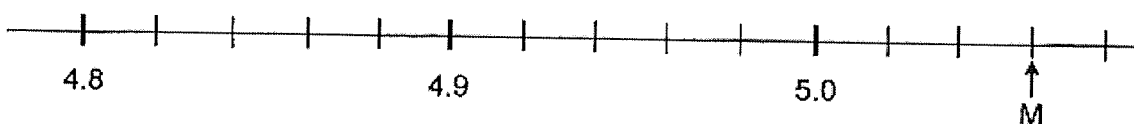
1. What is the value of $33 - (6 + 12) + 3$?

- (1) 5
- (2) 13
- (3) 27
- (4) 31

2. What is the value of the digit 2 in 10 245?

- (1) 20
- (2) 200
- (3) 2000
- (4) 20 000

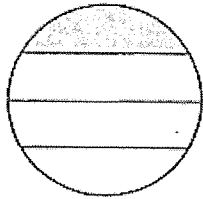
3. In the scale below, what is the value of M?



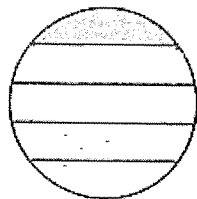
- (1) 5.3
- (2) 5.6
- (3) 5.03
- (4) 5.06

(Go on to the next page)

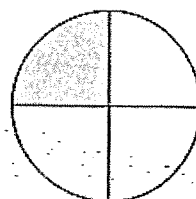
4. The ratio of the shaded area of the circle to the unshaded area of the circle is 1 : 4. Which of the following figures below represents the given ratio?



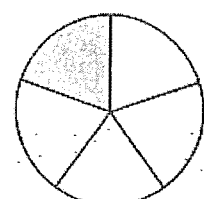
A



B

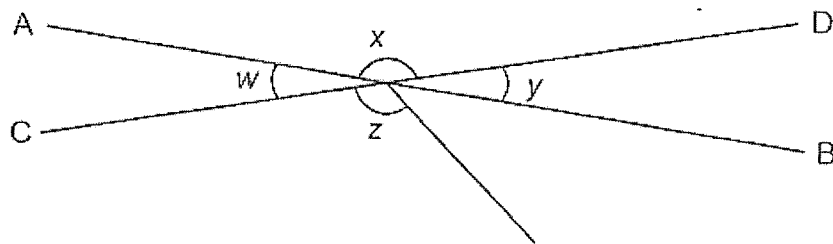


C



D

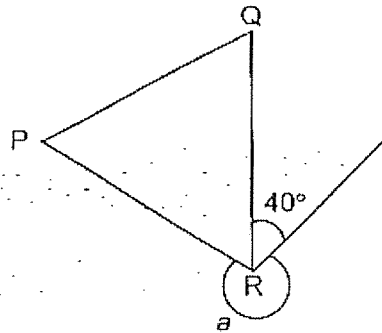
- (1) A
 (2) B
 (3) C
 (4) D
5. In the figure below, AB and CD are straight lines. Which two angles are equal?



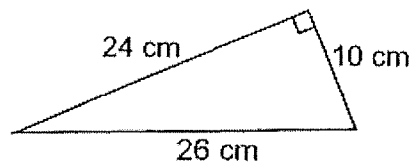
- (1) $\angle x$ and $\angle y$
 (2) $\angle x$ and $\angle z$
 (3) $\angle w$ and $\angle y$
 (4) $\angle w$ and $\angle z$

(Go on to the next page)

6. In the figure below, PQR is an equilateral triangle. Find $\angle a$.



- (1) 100°
 - (2) 140°
 - (3) 260°
 - (4) 320°
7. The figure below shows a right-angle triangle. Find the area of the triangle.



- (1) 120 cm^2
- (2) 130 cm^2
- (3) 240 cm^2
- (4) 312 cm^2

(Go on to the next page)

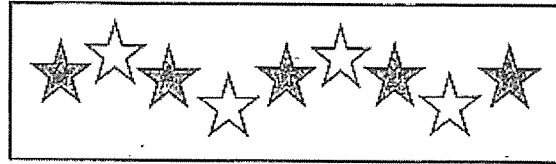
8. What fraction of the stars are shaded?

(1) $\frac{4}{9}$

(2) $\frac{5}{9}$

(3) $\frac{1}{2}$

(4) $\frac{4}{5}$



9. Jon had 200 stickers. He gave 90 stickers to his friend. What percentage of his stickers did Jon give to his friend?

(1) 10%

(2) 45%

(3) 55%

(4) 90%

10. The total marks obtained by 4 students is 60. What is the average number of marks obtained by the 4 students?

(1) 15

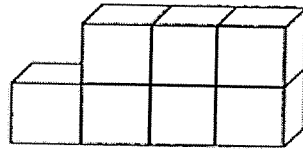
(2) 56

(3) 64

(4) 240

(Go on to the next page)

11. John stacked 7 boxes as shown in the diagram below.



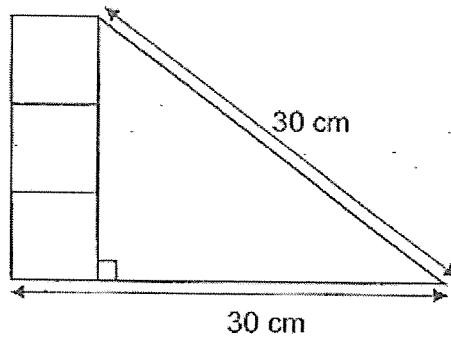
Each box had a mass of 10 kg 8 g. Find the total mass of the 7 boxes.

- (1) 756 kg
 - (2) 75.6 kg
 - (3) 70.56 kg
 - (4) 70.056 kg
12. Ken saved $\frac{1}{4}$ of his allowance and spent $\frac{3}{5}$ of the remaining allowance on food. He had \$72 left. How much was his allowance?

- (1) \$120
- (2) \$180
- (3) \$240
- (4) \$480

(Go on to the next page)

13. The figure below shows 3 identical squares and a triangle. The area of each square is 36 cm^2 . Find the area of the figure.



- (1) 324 cm^2
(2) 378 cm^2
(3) 468 cm^2
(4) 558 cm^2
14. Matthew had \$25 more than Amy. When Amy gave Matthew \$20, Matthew had 6 times as much money as Amy. How much money did Amy have at first?
- (1) \$29
(2) \$33
(3) \$78
(4) \$108

(Go on to the next page)

15. Ben shared a sum of money equally with Carla. To buy a present for their mother, Ben spent $\frac{1}{6}$ of his money and Carla spent \$45 of her money. In the end, $\frac{3}{4}$ of the original sum of money was left. What was the original sum of money shared by Ben and Carla?

- (1) \$135
- (2) \$180
- (3) \$270
- (4) \$540

(Go on to Booklet B)



Rosyth School
End-of-Year Examination
Mathematics
Primary 5
Paper 1

Name: _____ Register No. _____

Class: Pr 5 - _____

Parent's Signature: _____

Total Time for Booklets A and B : 1 hour

BOOKLET B

Instructions to Pupils:

1. Do not turn over this page until you are told to do so.
2. Follow all instructions carefully.
3. Answer all questions.
4. Use a dark blue or black ballpoint pen to write your answers in the space provided for each question.
5. Do not use correction fluid/tape or highlighters.
6. You are **not** allowed to use a calculator.

Section	Maximum Mark	Marks Obtained
Paper 1 (Booklet B)	25	

* This booklet consists of 9 pages (including this cover page).

Questions 16 to 20 carry 1 mark each. Write your answers in the spaces provided. For questions which require units, give your answers in the units stated.

Do not write in this space

All diagrams in this paper are not drawn to scale unless stated otherwise.
(5 marks)

16. Express $3\frac{7}{25}$ as a decimal.

Ans: _____

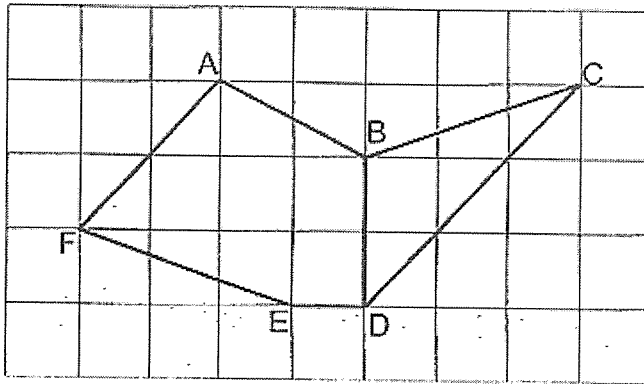
17. Find the value of 24×400 .

Ans: _____

18. Find the value of $\frac{1}{2} \times \frac{5}{8}$.

Ans: _____

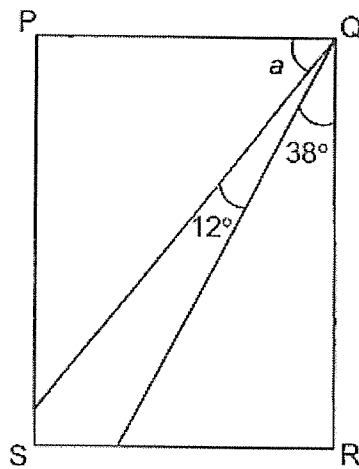
19. Which line in the square grid is parallel to AF?



Ans: _____

Do not write
in this space

20. In the figure below, PQRS is a rectangle. Find $\angle a$.



Ans: _____ °

Questions 21 to 30 carry 2 marks each. Show your workings clearly in the space provided for each question and write your answers in the spaces provided. For questions which require units, give your answers in the units stated.

Do not write
in this space

All diagrams in this paper are not drawn to scale unless stated otherwise.

(20 marks)

21. Two cups and a jug contain 2.33 litres of water. The volume of water in each cup is the same. The volume of water in one cup is 1.61 litres less than the volume of water in the jug. Find the volume of water in each cup.

Ans: _____ litres

22. Jill had \$400. She spent 20% of her money on books. How much money did Jill spend on books?

Ans: \$ _____

23. The table below shows the number of blue pens and red pens in 4 boxes.

Box	Number of pens	
	Red	Blue
A	17	12
B	10	18
C	13	12
D	11	15

Do not write
in this space

- (a) Which coloured pen has a greater number?
Circle the correct answer.

Ans: Red / Blue

- (b) All the pens are repacked such that each box contained the same number of pens. How many pens are there in each box now?

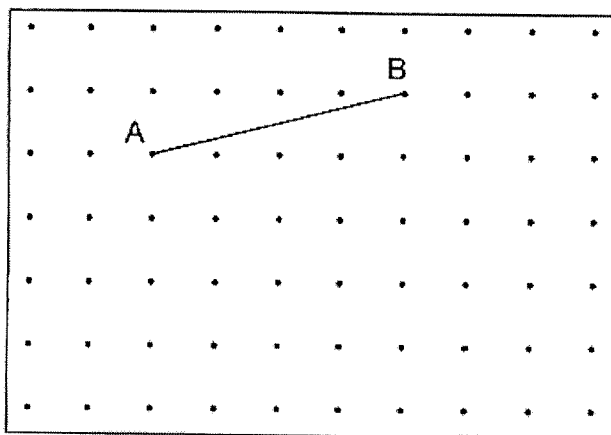
Ans: _____

24. A box of toys was shared equally among 10 children. 3 of them gave all of their toys to the rest of the children. As a result, the rest of the children received 6 more toys each. How many toys were there in the box?

Do not write in this space

Ans: _____

25. The figure below shows a line AB drawn on a grid.



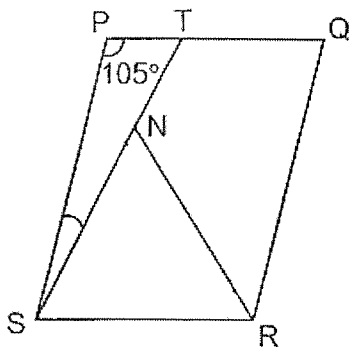
ABX is an isosceles triangle. $\angle ABX$ is 90° and $AB = BX$. Draw and label triangle ABX on the grid above.

26. There are 248 marbles in a box. The ratio of the number of red marbles to the number of blue marbles is 3 : 1. The rest of the 60 marbles are green. How many blue marbles are there in the box?

Do not write in this space

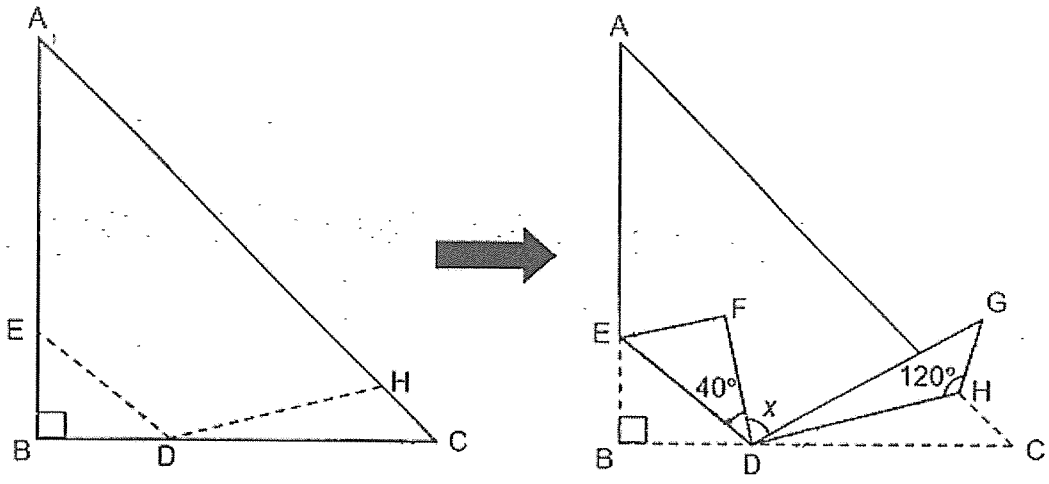
Ans: _____

27. PQRS is a parallelogram and NRS is an equilateral triangle. ST is a straight line. Find $\angle PST$.



Ans: _____

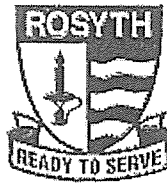
30. Ron cut a piece of paper into the shape of an isosceles right-angled triangle ABC , where $AB = BC$. He folded the triangle along the dotted lines DE & DH as shown below. Find $\angle x$. Do not write in this space



Ans: _____^o



End of Paper
Have you checked your work?



Rosyth School
End-of-Year Examination
Mathematics
Primary 5
Paper 2

Name: _____

Register No. _____

Class: Pr 5 - _____

Parent's Signature: _____

Time: 1 h 30 min

Instructions to Pupils:

1. Do not turn over this page until you are told to do so.
2. Follow all instructions carefully.
3. Answer all questions.
4. Use a dark blue or black ballpoint pen to write your answer in the space provided for each question.
5. Do not use correction fluid/tape or highlighters.
6. The use of an approved calculator is allowed.

Questions	Maximum Mark	Marks Obtained
Q 1 to 5	10	
Q 6 to 17	45	

Section	Maximum Mark	Marks Obtained
Paper 1	45	
Paper 2	55	
Total	100	

* This booklet consists of 16 pages (including this cover page)
This paper is not to be reproduced in part or whole without the permission of the Principal.

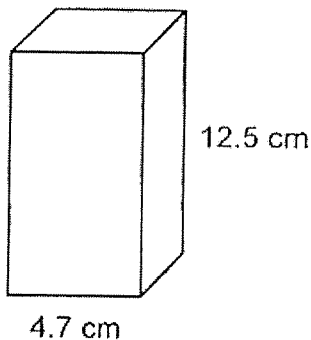
Questions 1 to 5 carry 2 marks each. Show your working clearly in the space provided for each question and write your answers in the spaces provided. For questions which require units, give your answers in the units stated.

Do not write
in this space

(10 marks)

All diagrams in this paper are not drawn to scale unless stated otherwise.

1. A solid cuboid of height 12.5 cm has a square base of side 4.7 cm. What is its volume?



Ans: _____ cm³

2. The table below shows the postal charges for sending a letter to Indonesia.

Mass Step	Charges
First 15 g	\$0.55
Every additional 5 g	\$0.10

Madeline sent a letter weighing 37 g to Indonesia. How much did she pay in total?

Ans: \$ _____

3. The price of one cookie from a bakery is \$1.80. When a customer buys 3 cookies, he will receive one more for free. Ben paid \$39.60 for his cookies. How many cookies did Ben receive altogether?

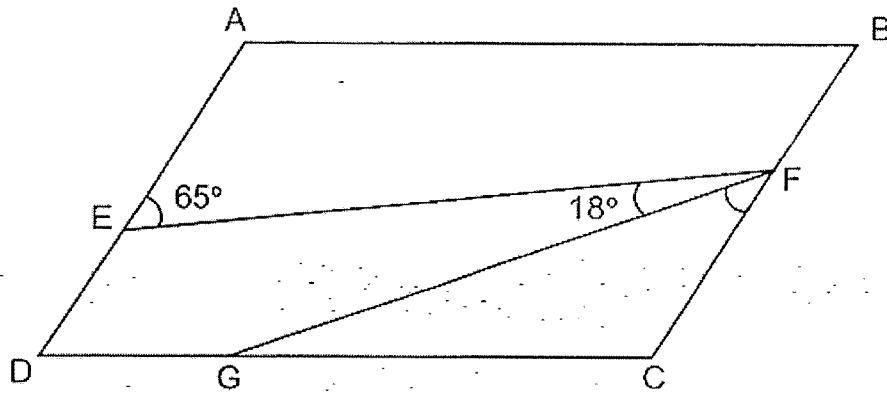
Do not write
in this space

Ans: _____

4. Benny scored an average of 36 points for three games. How many points must he score in the fourth game if he wants to get an average score of 40.7 points?

Ans: _____

5. ABCD is a parallelogram. Find $\angle CFG$.



Do not write
in this space

Ans: _____ $^\circ$

For Questions 6 to 17, show your working clearly in the space provided for each question and write your answers in the spaces provided. The number of marks available is shown in brackets [] at the end of each question or part-question. For questions which require units, give your answers in the units stated. (45 marks)

Do not write
in this space

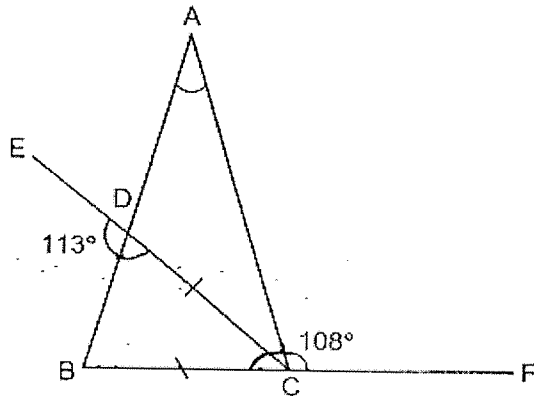
All diagrams in this paper are not drawn to scale unless stated otherwise.

6. A table and a cupboard cost \$1345 altogether. $\frac{1}{3}$ of the cost of the table was \$75 more than $\frac{1}{4}$ of the cost of the cupboard. How much more did the table cost than the cupboard?

Ans: _____ [3]



7. ABC is a triangle. EC and BF are straight lines and $DC = BC$. Find $\angle BAC$.



Do not write
in this space

Ans: _____ [3]

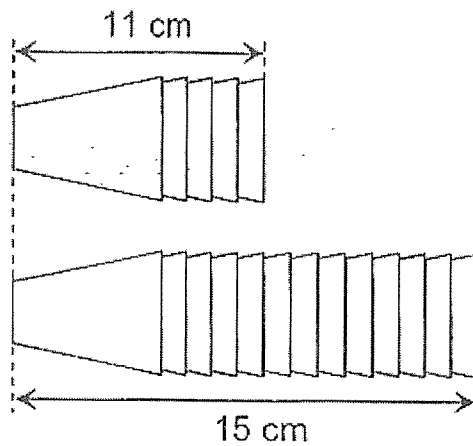
8. Anthony made some pies and muffins. He sold each pie at \$7 and each muffin at \$3. The ratio of the number of pies sold to the number of muffins sold is 1 : 8. Anthony collected \$589 altogether. How many pies did he sell?

Ans: _____ [3]

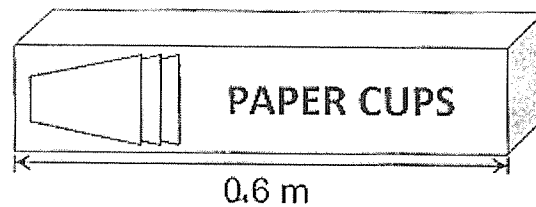
9. The figure shows two stacks of identical paper cups. There are 5 cups in the shorter stack and 13 cups in the longer one.

Do not write in this space

The length of the shorter stack is 11 cm and the length of the longer stack is 15 cm.



Ricky wants to pack the paper cups as a single stack into a box 0.6 m long. What is the most number of paper cups that he can pack into the box?

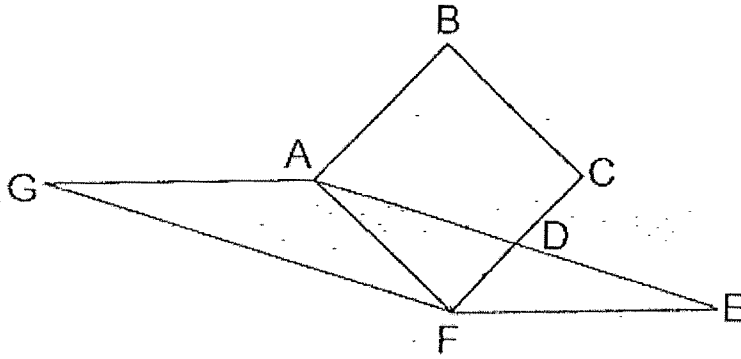


Ans: _____ [3]



10. The figure below is made up of a square $ABCF$ of side 16 cm and 2 identical triangles AFE and AFG . $CD = DF$ and $AD = DE$. Find the area of the figure.

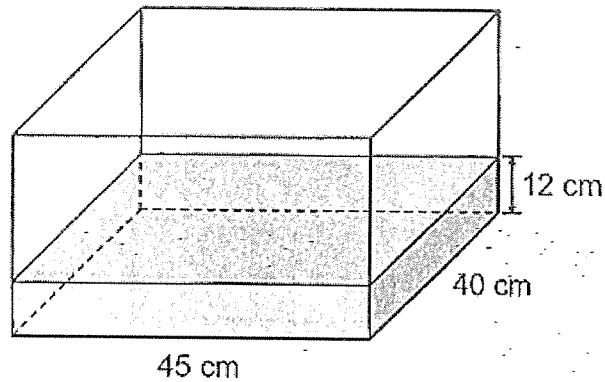
Do not write
in this space



Ans: _____ [3]



11. Mike had a rectangular tank 45 cm long and 40 cm wide. It was $\frac{3}{8}$ filled with water. The height of the water level in the tank was 12 cm.



- (a) How many more litres of water were needed to fill the tank completely?

Ans: (a) _____ [2]

- (b) Mike filled the tank to the brim. He used all the water to fill some bottles without spilling. The capacity of each bottle was 350 ml. What was the least number of such bottles needed to hold all the water?

Ans: (b) _____ [2]

12. 3 identical football cost as much as 2 identical basketballs . Mr Chai bought 5 such footballs and 3 such basketballs at \$532. What is the total cost of 1 football and 1 basketball?

Do not write
in this space

Ans: _____ [4]

13. Genna bought some shoes at an average price of \$54. She then bought another 3 pairs of shoes at \$102 each and the average price became \$72. How many pairs of shoes did she buy altogether?

Do not write
in this space

Ans: _____ [4]

14. Sandy bought an equal number of muffins and tarts. The muffins were sold at 4 for \$3 and the tarts were sold at 7 for \$5. She paid a total of \$164 for all the muffins and tarts. How many muffins and tarts did she buy altogether?

Do not write
in this space

Ans: _____ [5]

15. Mr Chandran bought a television that cost \$1320 before a discount of 30%.

(a) Find the amount of discount given for the television.

Do not write
in this space

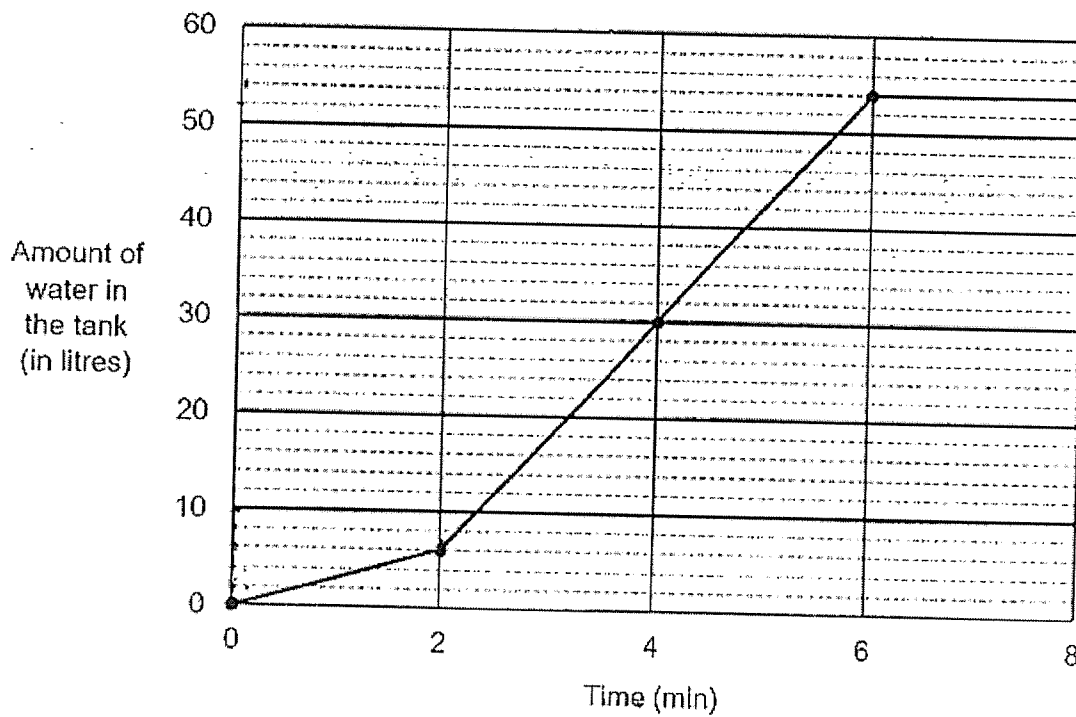
Ans: (a) _____ [1]

(b) Mr Chandran paid \$1722 for a laptop. The total discount for the television and the laptop was \$642. What was the percentage discount given for the laptop?

Ans: (b) _____ [3]

16. An empty tank was filled with water using two taps, Tap A and Tap B. Only Tap A was turned on for the first 2 minutes to add water in. After 2 minutes, both Tap A and Tap B were turned on to fill water into the tank until it was completely filled. The graph below shows the volume of water in the tank over a period of 8 minutes.

Do not write
in this space



- (a) What fraction of the tank was filled with water by the end of the first 2 minutes?

Ans: (a) _____ [1]

16. (b) In one minute, how many litres of water flowed out of Tap B?

Do not write
in this space

Ans: (b) _____ [3]

17. Alan had some magnets and stickers. He gave $\frac{3}{4}$ of all the items away. $\frac{1}{4}$ of the items given away were magnets. $\frac{2}{3}$ of the items left were stickers. The number of magnets given away was 80 more than the magnets left.

(a) What fraction of the total number of items were magnets left?

Ans: (a) _____ [2]

(b) Find the total number of magnets and stickers that Alan had at first.

Ans: (b) _____ [3]

Do not write
in this space

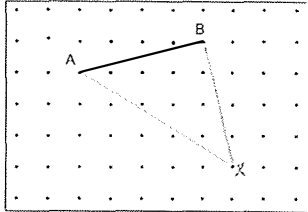
End of paper
Have you checked your work?

SCHOOL : ROSYTH SCHOOL
 LEVEL : PRIMARY 5
 SUBJECT : MATHEMATICS
 TERM : SA2

PAPER 1 (BOOKLET A)

Q1	3	Q2	2	Q3	4	Q4	4	Q5	3
Q6	3	Q7	1	Q8	2	Q9	2	Q10	1
Q11	4	Q12	3	Q13	1	Q14	2	Q15	3

PAPER 1 (BOOKLET B)

Q16	3.28
Q17	9600
Q18	$\frac{5}{16}$
Q19	CD
Q20	40°
Q21	0.24 ¢
Q22	\$80
Q23a	Blue
Q23b	27
Q24	140
Q25	
Q26	47
Q27	15°
Q28	P, R, Q
Q29	134 cm ²
Q30	70°

PAPER 2

Q1	Vol. = 4.7 cm x 4.7cm x 12.5 cm = 276.125 cm³
Q2	Total paid = \$0.55 + (\$0.10 x 5) = \$1.05
Q3	Price for 4 cookies (Buy 3 get 1 free) = \$1.80 x 3 = \$5.40 \$39.60 ÷ \$5.40 = 7 R \$1.80 \$1.80 can buy 1 cookie Total cookies = 4 x 7 + 1 = 29
Q4	Total for 3 games = 36 x 3 = 108 Total for 4 games = 40.7 x 4 = 162.8 Score for 4th game = 162.8 - 108 = 54.8
Q5	$\angle EFB = 180^\circ - 65^\circ = 115^\circ$ $\angle CFG = 180^\circ - 41^\circ - 90^\circ = \mathbf{49^\circ}$
Q6	$7u = \$1345 - (\$75 \times 3) = \$1120$ $1u = \$160$ $3u = \$480$ Cost of table = \$480 + \$225 = \$705 Cost of cupboard = \$160 x 4 = \$640 Difference in cost = \$705 - \$640 = \$65
Q7	$\angle BDC = 180^\circ - 113^\circ = 67^\circ$ $\angle DBC = 67^\circ$ $\angle BCD = 180^\circ - (2 \times 67^\circ) = 46^\circ$ $\angle ACD = 180^\circ - 108^\circ - 46^\circ = 26^\circ$ $\angle BDC = 180^\circ - 67^\circ - 26^\circ - 46^\circ = \mathbf{41^\circ}$
Q8	Group 1 pie & 8 muffins as 1 group Cost of 1 group = \$7 + (\$3 x 8) = \$31 No. of groups = \$589 ÷ \$31 = 19
Q9	Let u be the stacked extra cup height $8u = 4 \text{ cm}$ $1u = 0.5 \text{ cm}$ 11 cm = 4u - length of full cup height Length of full cup height = 11 cm - (4 x 0.5 cm) = 9 cm 60 cm - 9 cm = 51 cm 51 cm ÷ 0.5 cm = 102 Total cups = 102 + 1 = 103
Q10	Area of $\triangle AFD = 0.25 \times 16 \times 16 = 64 \text{ cm}^2$ Area of $\triangle AFE = 64 \times 2 = 128 \text{ cm}^2$ Area of $\triangle AGF = 128 \text{ cm}^2$ Total area = $128 \times 2 + (16 \times 16 - 64) = \mathbf{448 \text{ cm}^2}$

Q11a	$\frac{3}{8}$ of height = 12 cm $\frac{5}{8}$ of height = $(12 \div 3) \times 5 = 20$ cm Amt of water needed to fill tank fully = $20 \text{ cm} \times 45 \text{ cm} \times 40 \text{ cm} = \mathbf{36 \ell}$
Q11b	Total capacity of tank = $36 \ell + (12 \times 45 \times 40) = 57.6 \ell$ No. of full bottles = $57600 \text{ ml} \div 350 \text{ ml} = 164 \text{ R } 200 \text{ ml}$ Total no. of bottles needed = $164 + 1 = \mathbf{165}$
Q12	1 basketball (B) = 1.5 footballs (F) $5F + 3B = 5F + 4.5F = 9.5F$ $9.5F = \$532$ $1F = \$532 \div 9.5 = \56 $1B = \$56 \times 1.5 = \84 $1F + 1B = \$56 + \$84 = \mathbf{\$140}$
Q13	Total amount over new average = $3 \times \$102 - (3 \times \$72) = \$90$ Extra \$90 needs to be compensated by amount lesser than new average Difference b/w old and new average = $\$72 - \$54 = \$18$ No. of pairs of shoes under new average cost = $\$90 \div \$18 = 5$ Total pairs = $3 + 5 = \mathbf{8}$
Q14	LCM of 4 & 7 = 28 Group 28 muffins and 28 tarts as 1 group Cost of 1 group = $7 \times \$3 + 4 \times \$5 = \$41$ No. of groups = $\$164 \div \$41 = 4$ Total bought = $4(28 + 28) = \mathbf{224}$
Q15a	100% → \$1320 30% → $\$1320 \times 0.3 = \mathbf{\$396}$
Q15b	Laptop discount = $\$642 - \$396 = \$246$ $\% \text{ discount} = \frac{\text{change}}{\text{original}} = \frac{\$246}{(\$246 + \$1722)} = \mathbf{12.5\%}$
Q16a	$\frac{1}{9}$
Q16b	Rate of A/min = 3 ℓ Total rate/min = 12 ℓ Rate of B/min = $12 \ell - 3 \ell = \mathbf{9 \ell}$
Q17a	Fraction of magnets left = $\frac{1}{4} \times \frac{1}{3} = \frac{1}{12}$
Q17b	Fraction of magnets given away = $\frac{3}{4} \times \frac{1}{4} = \frac{3}{16}$ Diff. in magnets given away & left = $\frac{3}{16} - \frac{1}{12} = \frac{5}{48}$ $5u = 80$ $1u = 16$ $48u = \mathbf{768}$

