



ST. HILDA'S PRIMARY SCHOOL
END-OF-YEAR EXAMINATION 2025

Paper 1
Booklet A

PRIMARY FIVE

MATHEMATICS

PAPER 1

(BOOKLET A)

Additional Materials: Optical Answer Sheet (OAS)

Total Time for Booklets A and B: 1 h 10 min

Booklet A: 18 Multiple-Choice Questions (26 marks)

INSTRUCTIONS TO CANDIDATES

1. Write your name, index number and class in the box below.
2. Do not turn over this page until you are told to do so.
3. Follow all instructions carefully.
4. Answer all the questions.
5. Use a 2B pencil to shade your answers on the Optical Answer Sheet (OAS).
6. The use of calculators is **NOT** allowed.

Name : _____

Index No.: _____ Class : P5 / _____ Date : 28 October 2025

This booklet consists of 9 printed pages and 1 blank page.

Questions 1 to 10 carry 1 mark each. Questions 11 to 18 carry 2 marks each. For each question, four options are given. One of them is the correct answer. Make your choice (1, 2, 3 or 4). Shade the correct oval (1, 2, 3 or 4) on the Optical Answer Sheet. (26 marks)

1 Round 36 495 to the nearest thousand.

(1) 35 000

(2) 36 000

(3) 36 500

(4) 37 000

2 Find the value of 65×400 .

(1) 260

(2) 2600

(3) 26 000

(4) 260 000

3 Find the value of $36 \times (2 + 4) - 30 \div 6$.

(1) 31

(2) 35

(3) 186

(4) 211

4 Which of the following is equal to $3\frac{2}{7}$?

(1) $\frac{6}{7}$

(2) $\frac{9}{7}$

(3) $\frac{23}{7}$

(4) $\frac{32}{7}$

5 Which fraction is in its simplest form?

(1) $\frac{3}{6}$

(2) $\frac{4}{7}$

(3) $\frac{5}{10}$

(4) $\frac{3}{12}$

6 Express $2\frac{3}{20}$ as a decimal.

(1) 2.32

(2) 2.30

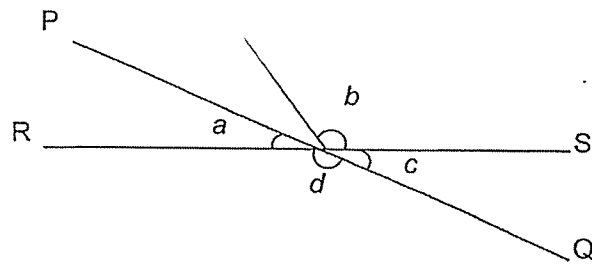
(3) 2.23

(4) 2.15

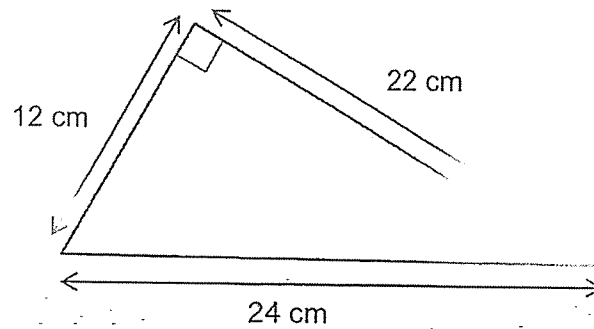
7 Tom received \$200 as a prize. He gave \$30 to his father.
What percentage of the prize money did Tom give to his father?

- (1) 15%
- (2) 30%
- (3) 70%
- (4) 85%

8 In the figure below, PQ and RS are straight lines.
Which two angles are equal?



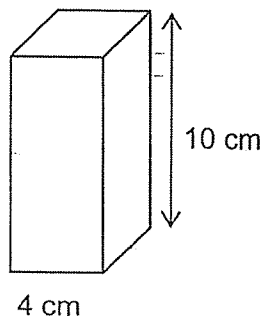
- (1) $\angle b$ and $\angle d$
- (2) $\angle b$ and $\angle c$
- (3) $\angle a$ and $\angle d$
- (4) $\angle a$ and $\angle c$



The figure above shows a right-angled triangle.
Find the area of the triangle.

- (1) 116 cm²
- (2) 132 cm²
- (3) 264 cm²
- (4) 528 cm²

- 10 A solid cuboid of height 10 cm has a square base of side 4 cm.
What is the volume?



- (1) 40 cm³
- (2) 160 cm³
- (3) 320 cm³
- (4) 400 cm³

- 11 Arrange the following fractions from the greatest to the smallest.

$\frac{7}{12}$, $\frac{5}{6}$, $\frac{2}{3}$
--

- | | Greatest | | Smallest |
|-----|----------------|---|--------------------------------|
| (1) | $\frac{5}{6}$ | , | $\frac{2}{3}$, $\frac{7}{12}$ |
| (2) | $\frac{7}{12}$ | , | $\frac{2}{3}$, $\frac{5}{6}$ |
| (3) | $\frac{2}{3}$ | , | $\frac{7}{12}$, $\frac{5}{6}$ |
| (4) | $\frac{5}{6}$ | , | $\frac{7}{12}$, $\frac{2}{3}$ |

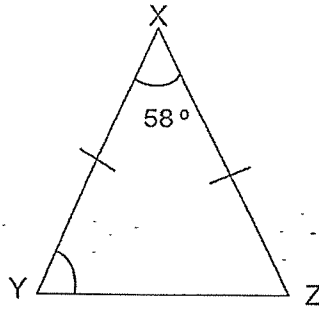
- 12 Siti folds 20 identical origami cranes in 10 minutes.

At this rate, how many identical origami cranes can Siti fold in 50 minutes?

- (1) 25
(2) 80
(3) 100
(4) 200

- 13 In the triangle XYZ below, $XY = XZ$ and $\angle YXZ = 58^\circ$.

Find $\angle XYZ$.



- (1) 122°
(2) 116°
(3) 64°
(4) 61°
- 14 The table shows the number of black pens and green pens in 4 boxes.

Box	Number of pens		
	Black	Green	Total
A	13	17	30
B	14	14	28
C	11	14	25
D	10	16	26

Which box has the most number of pens?

- (1) A
(2) B
(3) C
(4) D

15 A pole was 200 cm long. Max painted 60 cm of the pole blue. What percentage of the pole was not painted blue?

- (1) 30%
- (2) 40%
- (3) 60%
- (4) 70%

16 $\frac{2}{3}$ of a number is 24. What is $\frac{1}{2}$ of the number?

- (1) 8
- (2) 16
- (3) 18
- (4) 36

17 Joe had 1.02 kg of sugar at first.
He used 450 g of it to bake some cookies.
He then packed the remaining sugar equally into 3 containers.
How many kilograms of sugar were there in each container?

- (1) 0.15 kg
- (2) 0.19 kg
- (3) 0.49 kg
- (4) 0.57 kg

- 18 Linda had \$9. She spent \$6 on 6 pencils and 12 erasers.
Each pencil cost 3 times as much as each eraser.
She used all her remaining money to buy more pencils of the same kind.
How many pencils did Linda buy altogether?

- (1) 5
- (2) 11
- (3) 21
- (4) 27

(Go on to Booklet B)

BLANK PAGE

Paper 1
Booklet B



ST. HILDA'S PRIMARY SCHOOL
END-OF-YEAR EXAMINATION 2025
PRIMARY FIVE

MATHEMATICS

PAPER 1
(BOOKLET B)

Booklet B: 12 Short Answer Questions (24 marks) Total Time for Booklets A and B: 1 h 10 min

INSTRUCTIONS TO CANDIDATES

1. Write your name, index number and class in the box below.
2. Do not turn over this page until you are told to do so.
3. Follow all instructions carefully.
4. Answer all the questions.
5. Write your answers in this booklet.
6. The use of calculators is **NOT** allowed.

Name : _____	
Index No.: _____ Class: P5 / _____ Date : <u>28 October 2025</u>	
PAPER 1: Booklet B	/ 24

This booklet consists of 7 printed pages and 1 blank page.

Questions 19 to 30 carry 2 marks each. Show your working clearly in the space below each question and write your answers in the spaces provided. For questions which require units, give your answers in the units stated. (24 marks)

Do not write
in this space.

19 (a) Write forty thousand and twenty in numerals.

Ans: (a) _____

2 7 6 1

(b) Use all the digits above to form the smallest 4-digit number.

Ans: (b) _____

20 Mr Lim had 200 cups for sale. He sold 45% of them last week.

(a) How many cups were sold?

Ans: (a) _____

(b) How many cups were not sold?

Ans: (b) _____

21 (a) Express $\frac{9}{8}$ as a decimal.

Do not write
in this space.

Ans: (a) _____

(b) Express 1.48 as a mixed number in the simplest form.

Ans: (b) _____

22 Express $\frac{18}{12}$ as a mixed number in the simplest form.

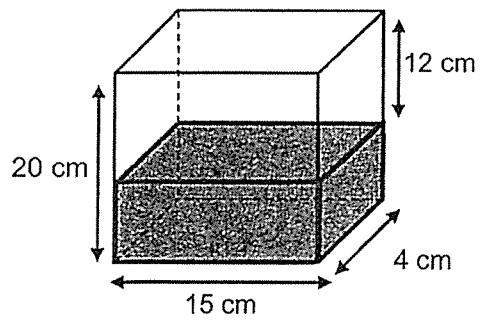
Ans: _____

23 Find the value of $3.5 \div 200$. Express your answer as a decimal.

Do not write
in this space.

Ans: _____

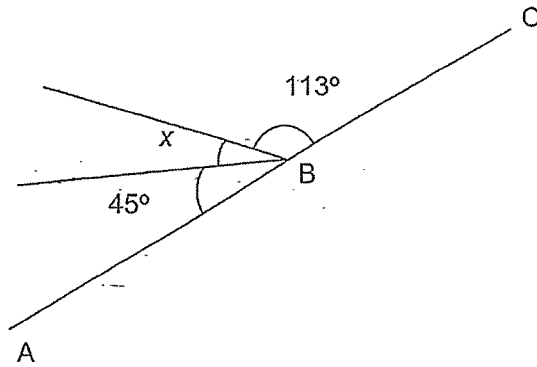
24 The figure below is not drawn to scale.
Find the volume of water in the tank.



Ans: _____ cm³

25 In the figure, ABC is a straight line.

Find $\angle x$.

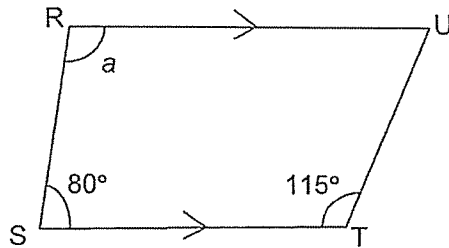


Do not write
in this space.

Ans : _____ °

26 The trapezium below is not drawn to scale.

$\angle RST = 80^\circ$ and $\angle STU = 115^\circ$. Find $\angle a$.



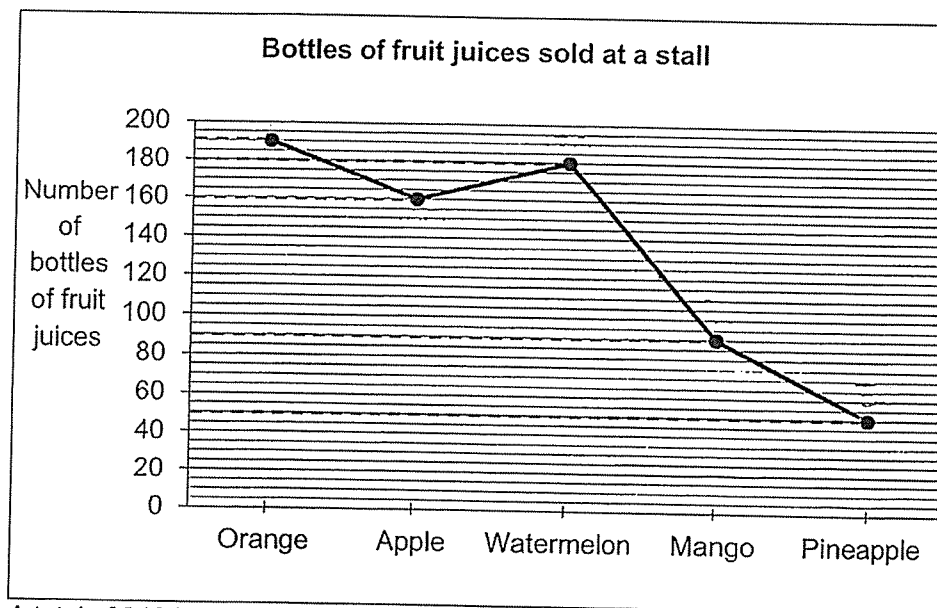
Ans : _____ °

- 27 Julia saves \$3000 in the bank for one year.
The interest rate is 2% per year.
How much money will she have in the bank after 1 year?

Do not write
in this space.

Ans: \$ _____

- 28 The chart below shows the bottles of fruit juices sold at a stall for one week.



A total of 240 bottles of fruit juices were sold for two of the flavours.
Name the two flavours.

Ans: _____ and _____

- 29 In the Art Club, $\frac{3}{5}$ of the students are girls and the remaining are boys.

$\frac{3}{4}$ of the boys like painting.

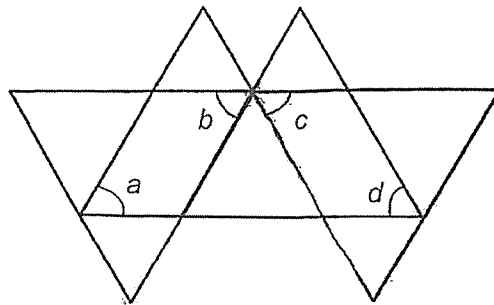
What fraction of the students are boys in the Art Club who do not like painting?

Do not write
in this space.

Ans: _____

- 30 The diagram below, not drawn to scale, is made up of 4 equilateral triangles overlapping one another.

Find the sum of $\angle a + \angle b + \angle c + \angle d$.



Ans: _____

End of Paper

BLANK PAGE



ST. HILDA'S PRIMARY SCHOOL
END-OF-YEAR EXAMINATION 2025

PRIMARY FIVE

MATHEMATICS

Paper 2

Time: 1 hour 20 minutes

INSTRUCTIONS TO CANDIDATES

1. Write your name, index number and class in the box below.
2. Do not turn over this page until you are told to do so.
3. Follow all instructions carefully.
4. Answer all the questions.
5. Write your answers in this booklet.
6. The use of an approved calculator is expected, where appropriate.

Name : _____	
Index No.: _____ Class : P5 / _____ Date: <u>28 October 2025</u>	
PAPER 1: Booklet A	/ 26
PAPER 1: Booklet B	/ 24
PAPER 2	/ 50
TOTAL	/ 100
Parent's Signature : _____	
Date : _____	

This booklet consists of 14 printed pages and 1 blank page.

Questions 1 to 5 carry 2 marks each. Show your working clearly and write your answers in the spaces provided. For questions which require units, give your answers in the units stated.

(10 marks)

Do not write
in this
space.

- 1 Jordan shared some sweets among his friends. He gave $\frac{1}{4}$ of the sweets to Amy, $\frac{1}{3}$ of the sweets to Lucy, and kept the remaining 20 sweets for himself. How many sweets did Jordan have at first?

Ans: _____

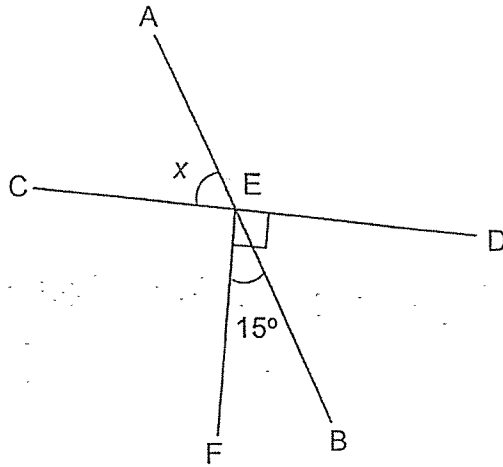
- 2 Jane bought 1.2 kg of cherries. How much did she pay for them?



\$0.90 for every 100 g

Ans: \$ _____

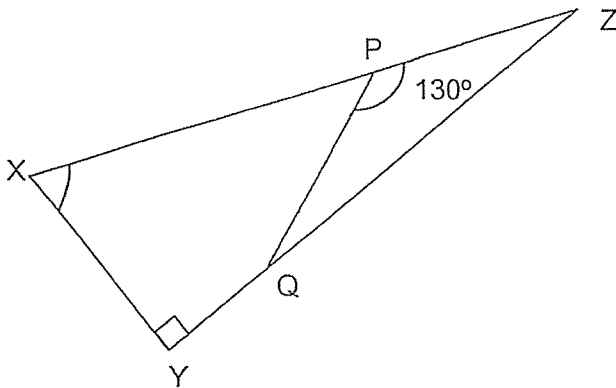
- 3 In the figure, AEB and CED are straight lines. $\angle DEF$ is a right angle. Find $\angle x$.



Do not write in this space.

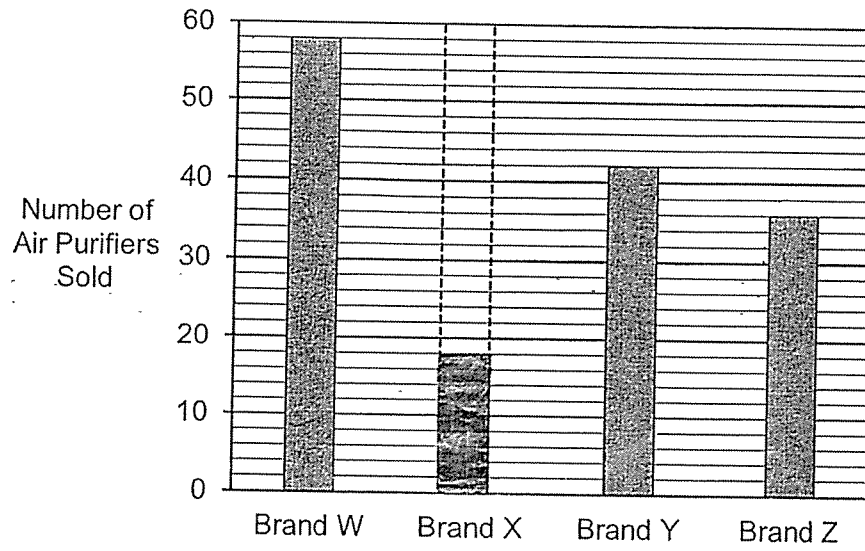
Ans: _____ °

- 4 The figure below is made up of a right-angled triangle XYZ and an isosceles triangle PQZ. $PQ = PZ$. $\angle QPZ$ is 130° . Find $\angle YXZ$.



Ans: _____ °

- 5 The bar graph shows the number of 4 different brands of air purifiers sold at a shop. The bar for Brand X sold is not drawn.



Do not write in this space.

The total number of air purifiers sold was 154.
Draw the bar that shows the number of Brand X sold.



For questions 6 to 15, show your working clearly and write your answers in the spaces provided. For questions which require units, give your answers in the units stated. The number of marks available is shown in brackets [] at the end of each question or part-question. (40 marks)

Do not write
in this
space.

- 6 The table shows the rates for renting a bicycle from a shop.

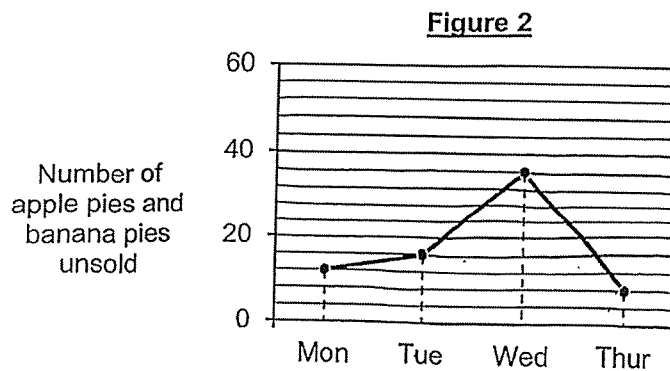
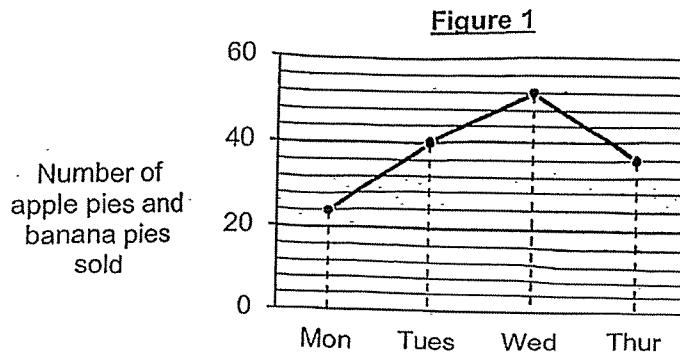
For the first hour or part thereof	\$3
For every additional $\frac{1}{2}$ hour or part thereof	\$2.20

Karen paid \$11.80 for renting a bicycle. She rented the bicycle at 1.30 pm. What was the latest possible time she returned the bicycle?

Ans: _____ pm [3]

- 7 Mrs Raju baked some apple pies and banana pies for sale from Monday to Thursday. Figure 1 shows the total number of apple pies and banana pies sold. Figure 2 shows the total number of apple pies and banana pies left unsold.

Do not write
in this
space.



- (a) How many apple pies and banana pies did Mrs Raju bake on Wednesday and Thursday?

Ans: (a) _____ [1]

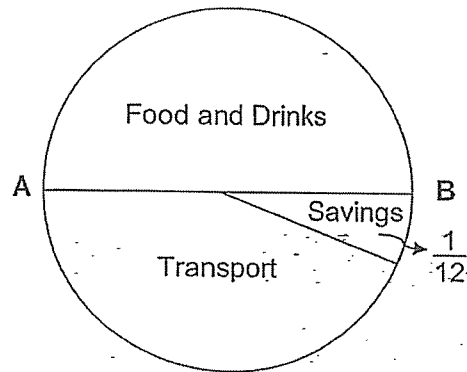
- (b) 1 banana pie was sold for every 2 apple pies sold on Monday. How many apple pies were sold on Monday?

(b) _____ [2]



- 8 The pie chart shows how Ari spends her weekly pocket money of \$72.
AB is a straight line.

Do not write
in this
space.



(a) Complete the table.

[2]

	Food and Drinks	Transport	Savings
Pocket Money (\$)			

(b) How much more money does she spend on food and drinks than transport?

Ans: (b) \$ _____ [1]



- 9 Siti had a total of 20 pieces of two-dollar and five-dollar notes.
Peter had 13 pieces of two-dollar notes and 10 pieces of five-dollar notes.
Peter had \$12 more than Siti.

Do not write
in this
space.

(a) What was the ~~amount of money~~ Peter had?

Ans: (a) \$ _____ [2]

(b) How many two-dollar notes did Siti have?

(b) _____ [2]



10 May's monthly salary is \$4200. She spends 10% of her monthly salary on transport, 30% of it on food and saves the rest.

Do not write
in this
space.

(a) How much money does she save each month?

Ans: (a) \$ _____ [2]

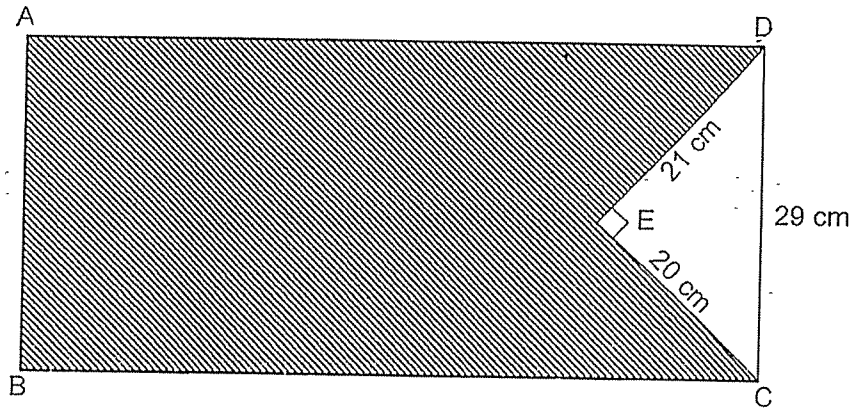
(b) How much more money does she spend on food than transport?

(b) \$ _____ [2]



- 11 In the figure below, ABCD is a rectangle and CED is a right-angled triangle with sides measuring 20 cm, 21 cm and 29 cm. The perimeter of the shaded part is 3.06 m. What is the area of the shaded part?

Do not write in this space.

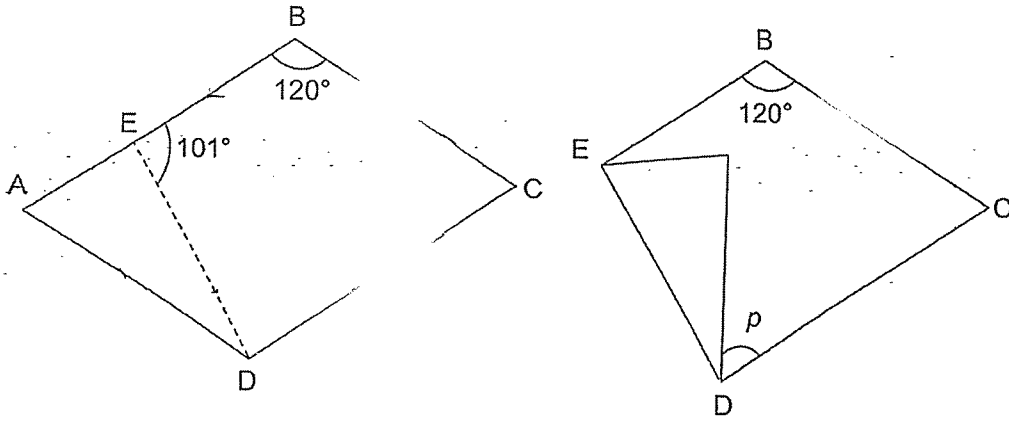


Ans: _____ cm² [4]



- 12 Ahmad has a piece of paper ABCD in the shape of a parallelogram. He folded it along the line DE as shown below. $\angle BED = 101^\circ$ and $\angle CBE = 120^\circ$. Find $\angle p$.

Do not write in this space.



Ans: _____^o [4]



- 13 Muthu and Siti had the same number of stickers at first. Muthu gave away $\frac{2}{3}$ of his stickers and Siti gave away $\frac{5}{12}$ of her stickers. Muthu had 135 fewer stickers left than Siti. What was the total number of stickers Muthu and Siti had at first?

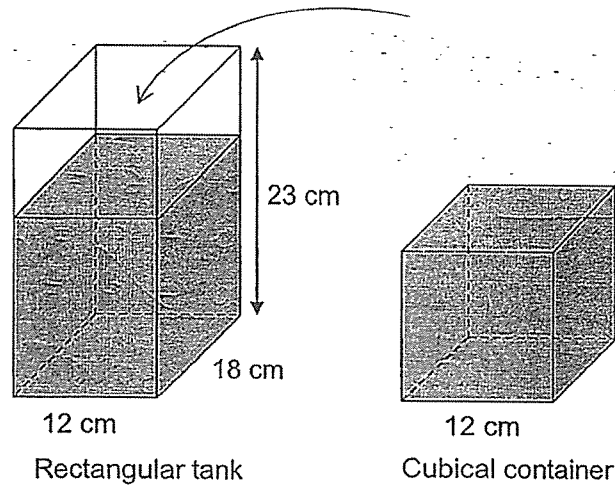
Do not write
in this
space.

Ans: _____ [5]



- 14 A rectangular tank was $\frac{3}{4}$ - filled with water. A cubical container of sides 12 cm was completely filled with water. Water from the cubical container was poured into the rectangular tank to fill it to the brim without spilling. How many millilitres of water was left in the cubical container in the end?

Do not write
in this
space.



Ans: _____ ml [5]



- 15 Alicia had some money at first.
She spent \$12.60 on 3 notebooks and 6 pencils.
She wanted to buy another notebook, but was short of \$0.80.
Instead, she bought 1 more pencil and had \$0.70 left.

Do not write
in this space

(a) What was the cost of one notebook?

Ans: (a) \$ _____ [3]

(b) How much money did Alicia have at first?

(b)\$ _____ [2]

End of Paper

SCHOOL : ST HILDA'S PRIMARY SCHOOL
LEVEL : PRIMARY 5
SUBJECT : MATHEMATICS
TERM : 2025 END OF YEAR EXAMINATION

Q1	Q2	Q3	Q4	Q5	Q6	Q7	Q8	Q9	Q10
2	3	4	3	2	4	1	4	2	2
Q11	Q12	Q13	Q14	Q15	Q16	Q17	Q18		
1	3	4	1	4	3	2	2		

No.	Answer	Method
19a	40 020	
19b	1267	
20a	90	
20b	110	
21a	1.125	
21b	$1\frac{12}{25}$	
22	$1\frac{1}{2}$	$\frac{18}{12} = \frac{6}{12}$ $= 1\frac{1}{2}$
23	0.0175	$3.5 \div 200 = 3.5 \div 2 \div 100$ $= 1.75 \div 100$ $= 0.0175$
24	480	$15 \times 4 \times 8 = 480$
25	22	$180 - 113 - 45 = 22$
26	100	$180 - 80 = 100$
27	\$3060	$\$3000 \times 2\% = \60 $\$3000 + \$60 = \$3060$
28	Orange and Pineapple	Both have to be correct
29	$\frac{1}{10}$	$\frac{3}{4} \times \frac{2}{5} = \frac{6}{20}$ $= \frac{3}{10}$ $\frac{2}{5} - \frac{3}{10} = \frac{1}{10}$
30	240	$60 \times 4 = 240$

Paper 2

1	48
2	10.80
3	75
4	65
5	18

No.	Answer	Method
6	4.30 p.m.	$11.30 - 3 = 8.30$ $8.80 + 2.20 = 4$ 1.30 pm to 2.30 pm \rightarrow 1 h 4 set of 30 minutes \rightarrow 2 h 2.30 pm to 4.30 pm \rightarrow 2 h
7(a)	132	$52 + 36 + 36 + 8 = 132$ Mrs Raju baked 132 apple pies and banana pies on Wednesday and Thursday.
7(b)	16	$24 \div 3 = 8$ $8 \times 2 = 16$ 16 apple pies were sold on Monday.
8(a)	Food and Drinks = \$36 Transport = \$30 Savings = \$6	$\$36 (72 \div 2)$ $\$30 (\$36 - \$6)$ $\$6 \left(\frac{1}{12} \times \$72\right)$
8(b)	\$6	$\$36 - \$30 = \$6$ She spent \$6 more on food and drinks than transport.
9a	\$76	$13 \times 2 = \$26$ $10 \times 5 = \$50$ $\$26 + \$50 = \$76$ Peter had \$76.
9b	12 two-dollar notes	$76 - 12 = 64$ Assume all 20 notes were \$5 notes: $20 \times 5 = 100$ $100 - 64 = 36$ $5 - 2 = 3$ $36 \div 3 = 12$ Siti has 12 two-dollar notes.

10a	\$2520	$100 - 10 - 30 = 60$ $\frac{60}{100} \times 4200 = 2520$ May saved \$2520.
10b	\$840	$\frac{10}{100} \times 4200 = 420$ (transport) $\frac{30}{100} \times 4200 = 1260$ (food) $1260 - 420 = 840$ May spent \$840 more on food than transport.
11	3212 cm ²	$3.06 m \times 100 = 306 cm$ $306 - 21 - 20 = 265$ $265 - 29 = 236$ $236 \div 2 = 118$ (length of rect) Area of triangle = $\frac{1}{2} \times 21 \times 20 = 210$ Area of rect = $118 \times 29 = 3422$ $3422 - 210 = 3212$ The area of the shaded part is 3212 cm ² .
12	38°	$\angle AED = 180^\circ - 101^\circ = 79^\circ$ $\angle EAD = 180^\circ - 120^\circ = 60^\circ$ Folded angle = $180^\circ - 79^\circ - 60^\circ = 41^\circ$ $\angle p = 120^\circ - 41^\circ - 41^\circ = 38^\circ$ Ans: 38°
13	1080 stickers	Muthu left, $\frac{3}{3} - \frac{2}{3} = \frac{1}{3}$ Siti left, $\frac{12}{12} - \frac{5}{12} = \frac{7}{12}$ $\frac{7}{12} - \frac{1}{3} = \frac{3}{12}$ $\frac{3}{12} \rightarrow 135$ $\frac{1}{12} \rightarrow 135 \div 3 = 45$ $\frac{12}{12} \rightarrow 45 \times 12 = 540$ $540 \times 2 = 1080$ They both had 1080 stickers altogether.
14	486 ml	$1 - \frac{3}{4} = \frac{1}{4}$ $\frac{1}{4} \times 12 \times 18 \times 23 = 1242$ $12 \times 12 \times 12 = 1728$ $1728 - 1242 = 486ml$ There was 486 ml of water left in the cubical container in the end.

15a	\$2.40	$\$0.70 + \$0.80 = \$1.50$ $\$12.60 - (\$1.50 \times 3) = \$8.10$ $\$8.10 \div 9 = \0.90 $\$0.90 + \$1.50 = \$2.40$ The cost of one notebook is \$2.40.
15b	\$14.20	$\$12.60 + \$2.40 - \$0.80 = \14.20 Alicia had \$14.20 at first.

www.sgexam.com