



HENRY PARK PRIMARY SCHOOL
MATHEMATICS
PRIMARY 5
Weighted Assessment 1

Name:

Parent's Signature:

Class: Primary 5 ____

Date: _____

Section A: Multiple Choice Questions

The use of calculators is not allowed.

Questions 1 to 5 carry 1 mark each. Questions 6 to 10 carry 2 marks each.

For each question, four options are given. One of them is the correct answer.

Make your choice (1, 2, 3 or 4) and write your answer in the brackets provided.

1 Nine million, fifty thousand, one hundred and seventy-three in numerals is

_____.

- (1) 950 173
- (2) 9 005 173
- (3) 9 050 173
- (4) 9 500 173

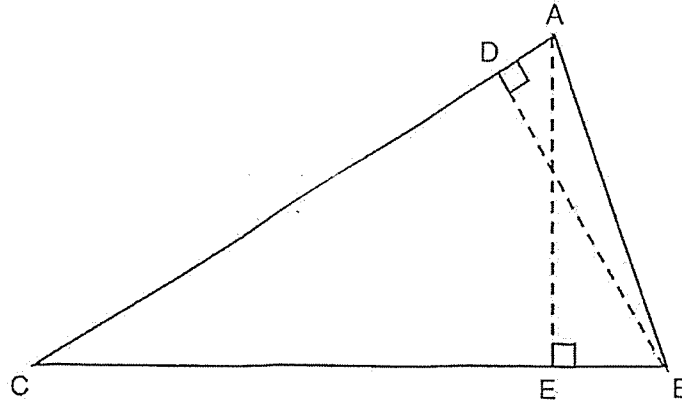
()

2 How many one-fifths are there in $2\frac{2}{5}$?

- (1) 10
- (2) 11
- (3) 12
- (4) 17

()

- 3 In the figure below, ABC is a triangle.



What is the height of triangle ABC when its base is AC?

- (1) AE
- (2) BA
- (3) BC
- (4) BD

()

- 4 What is the product of $\frac{8}{3}$ and 24?

- (1) 1
- (2) 9
- (3) 56
- (4) 64

()

5 Which one of the following is the second common multiple of 6 and 9?

- (1) 3
- (2) 18
- (3) 36
- (4) 54

()

6 Arrange the following numbers from the largest to the smallest

$\frac{8}{5}$	6	$\frac{3}{4}$
---------------	---	---------------

- | | <u>Largest</u> | | <u>Smallest</u> |
|-----|----------------|---------------|-----------------|
| (1) | 6 | $\frac{8}{5}$ | $\frac{3}{4}$ |
| (2) | 6 | $\frac{3}{4}$ | $\frac{8}{5}$ |
| (3) | $\frac{3}{4}$ | $\frac{8}{5}$ | 6 |
| (4) | $\frac{8}{5}$ | $\frac{3}{4}$ | 6 |

()

7 Find the value of $5 \times 28 + (100 - 76) \div 4$

- (1) 41
- (2) 65
- (3) 146
- (4) 170

()

8 Mrs Tan bought $1\frac{1}{2}$ kg of sugar and Mrs Lee bought $\frac{1}{3}$ of what Mrs Tan bought. What was the total amount of sugar bought by Mrs Tan and Mrs Lee?

- (1) $1\frac{2}{5}$ kg
- (2) $1\frac{5}{6}$ kg
- (3) 2 kg
- (4) $3\frac{1}{2}$ kg

()

9 Polly and Queenie had the same number of stickers at first. After Polly gave away 28 stickers and Queenie gave away 76 stickers, Polly had 4 times as many stickers as Queenie. How many stickers did Polly have at first?

- (1) 44
- (2) 48
- (3) 88
- (4) 92

()

- 10 Jin Yong spent $\frac{1}{3}$ of his money on a pen and $\frac{3}{4}$ of the remaining money on a book. In the end, he had \$16 left. How much money, in total, did he spend on the pen and the book?
- (1) \$32
 - (2) \$48
 - (3) \$80
 - (4) \$96

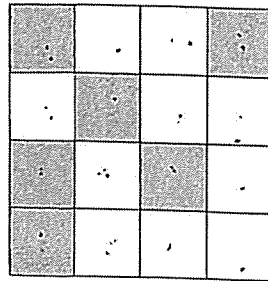
()

Section B: Short Answer Questions

The use of calculators is **not** allowed.

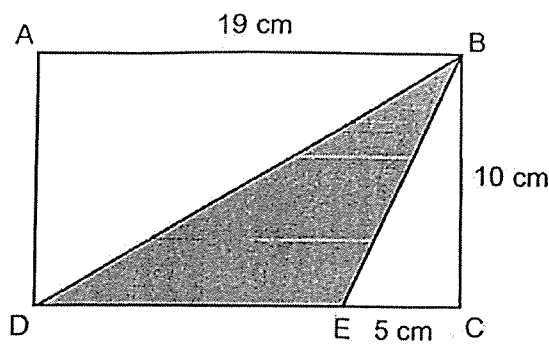
Questions 11 to 18 carry 2 marks each. Show your working clearly and write your answers in the spaces provided. For questions which require units, give your answers in the units stated.

- 11 How many more squares must be shaded so that only $\frac{3}{8}$ of the figure is left unshaded?



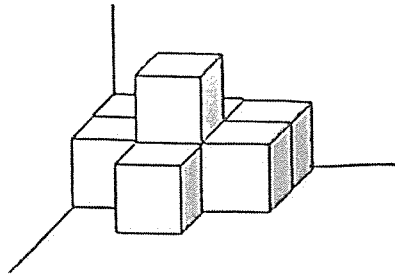
Ans: _____

- 12 The figure below is made up of rectangle ABCD and triangle BDE. Find the area of the shaded triangle BDE.



Ans: _____ cm²

- 13 The solid below is made up of 1-cm cubes.
What is the volume of the solid?



Ans: _____ cm³

- 14 The table below shows the types of tickets for admission to a museum.

Type of tickets	Price
Adult	\$15
Child	\$7
Package A (1 adult and 1 child)	\$20
Package B (2 adults and 1 child)	\$35

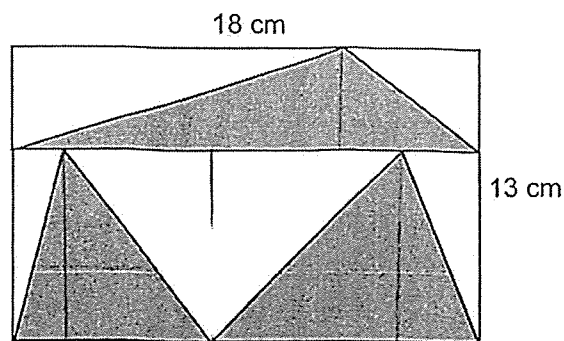
Mr Liew bought tickets for 4 adults and 3 children for admission to the museum.
What was the least amount that he could have paid?

Ans: \$ _____

- 15 There are 2 boxes A and B in a cupboard. Box A contained twice as many balls as box B. In box A, $\frac{1}{4}$ of the balls are blue. In box B, $\frac{1}{2}$ of the balls are blue. What fraction of the balls in the cupboard are blue? Express your answer in the simplest form.

Ans: _____

- 16 The figure below is a rectangle with a length of 18 cm and breadth of 13 cm. Find the area of the unshaded roctangle:
parts



Ans: _____ cm²

- 17 Kai Lun made some bookmarks on Tuesday. He made 8 more bookmarks on Wednesday than on Tuesday and twice as many bookmarks on Thursday than on Wednesday. On Friday, he made 14 fewer bookmarks than on Thursday. Kai Lun made a total of 200 bookmarks over the four days. How many bookmarks did he make on Tuesday?

Ans: _____

- 18 A repeated pattern is formed using the numbers 2 and 0.
The first 18 numbers are shown below.

2 0 2 0 2 2 2 0 2 0 2 2 2 0 2 0 2 2

1st 2nd

What is the sum of the first 100 numbers?

Ans: _____

www.sgexam.com

SCHOOL : HENRY PARK PRIMARY SCHOOL
LEVEL : PRIMARY 5
SUBJECT : MATHEMATICS
TERM : 2025 WEIGHTED ASSESSMENT 1

Q1	Q2	Q3	Q4	Q5	Q6	Q7	Q8	Q9	Q10
3	3	4	4	3	1	3	3	4	3

11)	4
12)	$19 \times 10 = 190$ $190 \div 2 = 95$ $\frac{1}{2} \times 10 \times 5 = 25$ $190 - 95 - 25 = 70 \text{ cm}^2$
13)	8
14)	$35 + 20 \times 2 = \$75$
15)	$\frac{1}{3}$
16)	$18 \times 13 = 234$ $234 \div 2 = 117 \text{ cm}^2$
17)	$200 - 26 = 174$ $174 \div 6 = 29$
18)	$100 \div 6 = 16 \text{ R}4$ $2 \times 4 = 8$ $8 \times 16 = 128$ $128 + 2 + 2 = 132$

8
0