



Nan Hua Primary School
Primary 5 Mathematics
Term 2 Weighted Assessment 2025
Paper 1

Marks	
Section A:	/8
Section B:	/8
Total:	16

Name: _____ ()

Class: Primary 5M _____

Date: _____

Duration: 20 min

Parent's Signature

INSTRUCTIONS TO CANDIDATES

1. Write your name and index number in the space provided.
2. Do not turn over the page until you are told to do so.
3. Follow all instructions carefully.
4. Answer all questions.
5. Use dark blue or black ball point pen to write your answers in the space provided for each question.
6. Do not use correction tape/ fluid/ highlighter.
7. The use of calculators is NOT allowed.

This booklet consists of 6 printed pages.

Section A

Questions 1 to 4 carry 1 mark each. Question 5 & 6 carry 2 marks each.
For each question, four options are given. One of them is the correct answer.
Make your choice (1, 2, 3 or 4) and write your answer in the brackets. (8 marks)

1 Find the value of $\frac{2}{3} \times \frac{15}{6}$.

Express the answer as a mixed number in the simplest form.

(1) $1\frac{2}{3}$

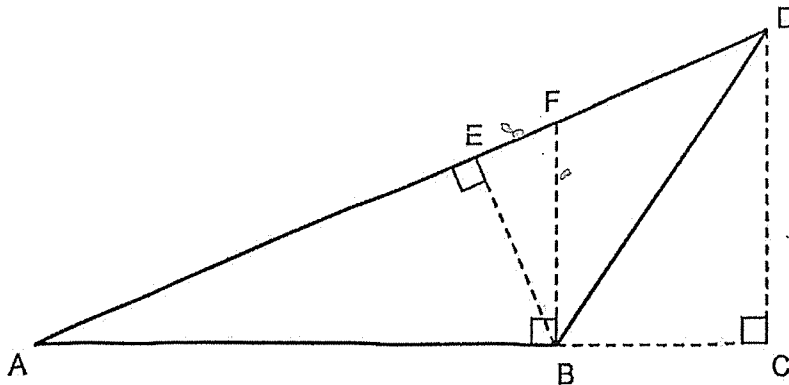
(2) $1\frac{8}{9}$

(3) $2\frac{1}{3}$

(4) $2\frac{1}{2}$

()

- 2 In the figure shown, ABD is a triangle.
Given that BE is the height of Triangle ABD, which of the following is the base of Triangle ABD?



(1) AB

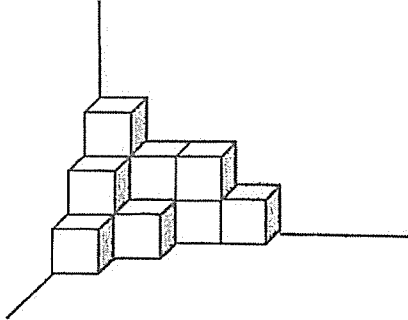
(2) AD

(3) BC

(4) BD

()

3 The solid is made up of 1-cm cubes. Find the volume of the solid.



- (1) 12 cm^3
- (2) 10 cm^3
- (3) 8 cm^3
- (4) 6 cm^3

()

4 The diagram shows a packet of drink. Which of the following could be the volume of the packet of drink?

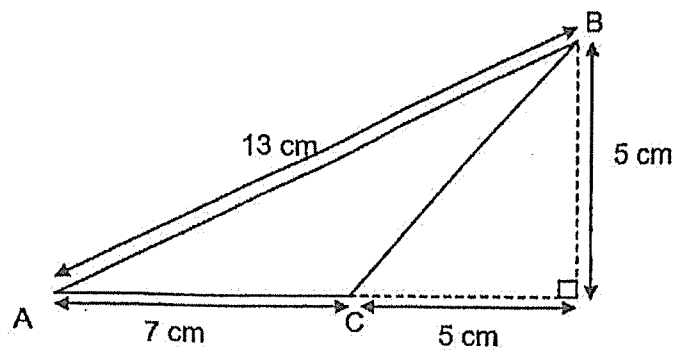


- (1) 2.5 mL
- (2) 25 mL
- (3) 250 mL
- (4) 2500 mL

()

4

- 5 Find the area of triangle ABC as shown below.



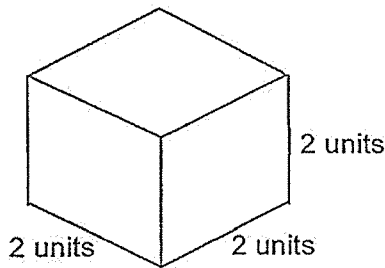
- (1) 45.5 cm^2
- (2) 32.5 cm^2
- (3) 30.0 cm^2
- (4) 17.5 cm^2 ()
- 6 Mother gave Mary \$64 for her pocket money last month. Mary spent $\frac{3}{8}$ of it on food and $\frac{1}{4}$ of it on transport. How much did she spend altogether?
- (1) \$16
- (2) \$24
- (3) \$40
- (4) \$48 ()

Section B

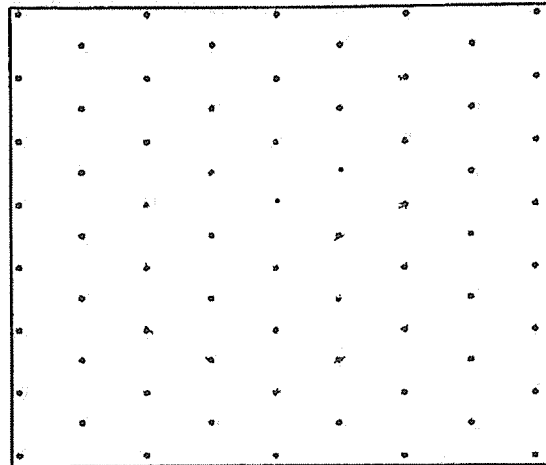
Questions 7 to 10 carry 2 marks each.

Write your answers in the spaces provided. For questions which require units, give your answers in the units stated. (8 marks)

7 Draw Cube A on the isometric grid provided.



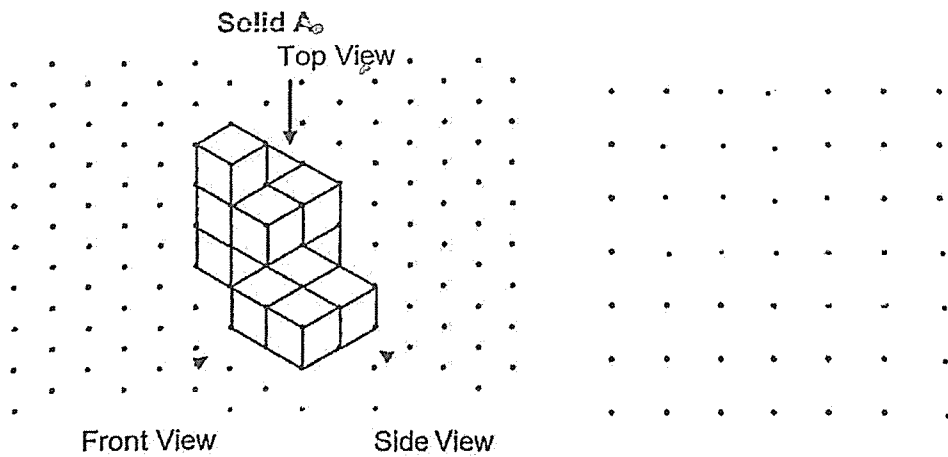
Cube A



Please do not write in the margin



8 Solid A is made of 1-cm cubes. Draw the top view of the solid on the grid provided.

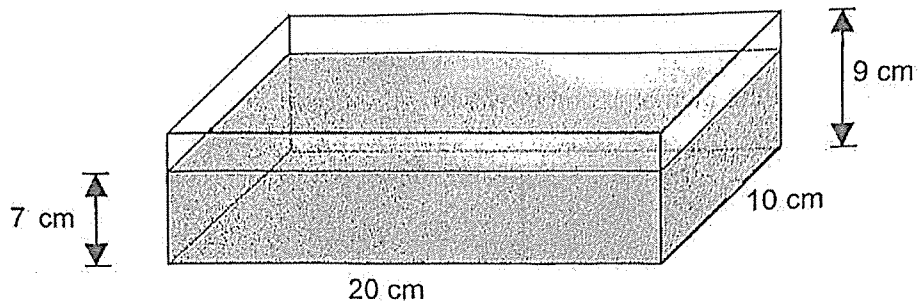


Front View

Side View

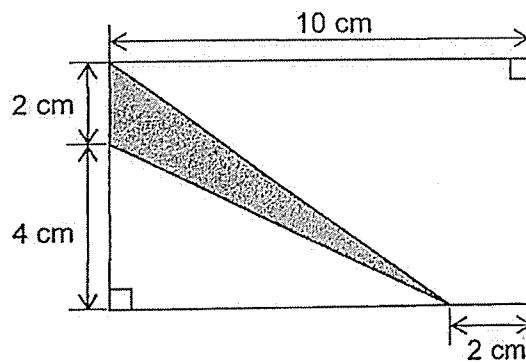


- 9 A rectangular tank measuring 20 cm by 10 cm by 9 cm is filled with water to a height of 7 cm. How much more water is needed to fill the tank completely?



Ans: _____ cm³

- 10 Find the area of the shaded part.



Ans: _____ cm²

Please do not write in the margin



Nan Hua Primary School
Primary 5 Mathematics
Term 2 Weighted Assessment 2025
Paper 2

Marks	
Total:	16

Name: _____ ()

Class: Primary 5M____

Date: _____

Duration: 25 min

Parent's Signature

INSTRUCTIONS TO CANDIDATES

1. Write your name and index number in the space provided.
2. Do not turn over the page until you are told to do so.
3. Follow all instructions carefully.
4. Answer all questions.
5. Use dark blue or black ball point pen to write your answers in the space provided for each question.
6. Do not use correction tape/ fluid/ highlighter.
7. The use of calculators is allowed.

This booklet consists of 6 printed pages

For questions 1 to 5, show your working clearly and write your answers in the spaces provided. The number of marks available is shown in brackets [] at the end of each question or part-question. (16 marks)

1 Tom goes to work 5 times a week.

Each time, Tom travels $3\frac{3}{4}$ km from his house to his workplace and returns on the same route.

(a) How far does Tom travel from his house to his workplace in a day?

Ans : (a) _____ [1]

(b) How far does Tom travel from his house to his workplace in a week?
Give your answer in kilometres and metres.

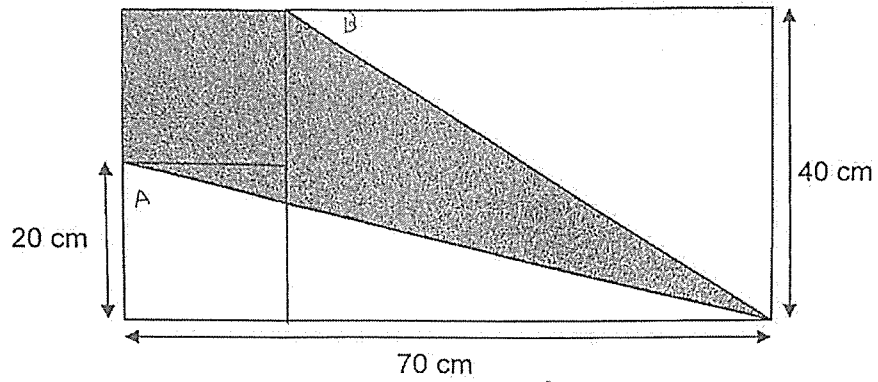
Ans : (b) _____ [2]

Please do not write in the margin



3

- 2 The figure is made up of two identical squares and a rectangle.
The breadth of the rectangle is 40 cm. The side of the square is 20 cm.
Find the area of the shaded part.



Please do not write in the margin



Ans: _____ [3]

- 3 In Primary 5K, $\frac{2}{5}$ of the students are boys. $\frac{1}{3}$ of the boys and $\frac{1}{6}$ of the girls in the class wear spectacles.

Each of the statements below is either true, false or not possible to tell from the information given. Put a tick (\checkmark) to indicate your answer.

Statement	True	False	Not possible to tell
There are more boys than girls in Primary 5K.			
There are more boys than girls who wear spectacles.			
The number of girls who do not wear spectacles is twice the number of boys who do not wear spectacles.			

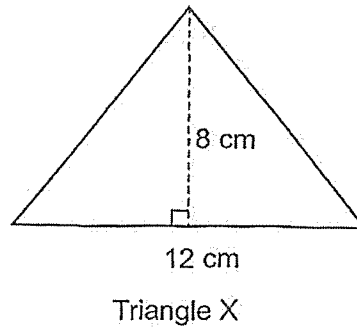
[3]

Please do not write in the margin



5

4 Triangles X and Y are two different triangles with the same area.



(a) What is the area of Triangle Y?

Ans : (a) _____ [1]

(b) Give one possible base and height of Triangle Y.

Ans : (b) Base = _____ [1]

Height = _____ [1]

Please do not write in the margin



- 5 Mrs Tan spent $\frac{1}{4}$ of her money on a necklace and $\frac{1}{5}$ of the remainder on a bag. She gave her daughter \$60 and had \$156 left.
- (a) What fraction of her money did Mrs Tan spend on the bag?

Ans : (a) _____ [1]

- (b) How much money did Mrs Tan have at first?

Ans : (b) _____ [3]

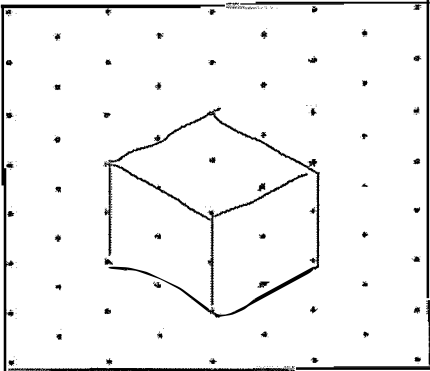
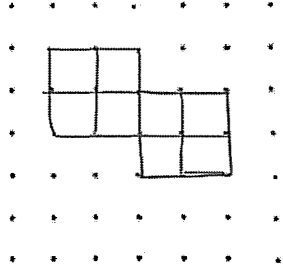
Please do not write in the margin



SCHOOL : NAN HUA SCHOOL
 LEVEL : PRIMARY 5
 SUBJECT : MATH
 TERM : WA2 2025

PAPER 1

Q1	Q2	Q3	Q4	Q5	Q6
1	2	1	3	4	3

Q7)	
Q8)	
Q9)	$9 - 7 = 2$ $2 \times 20 \times 20 = 400 \text{ cm}^3$
Q10)	$10 - 2 = 8$ $\frac{1}{2} \times 2 \times 8 = 8 \text{ cm}^2$

Paper 2

Q1a)	$3\frac{3}{4} \times 2 = \frac{15}{2} = 7\frac{1}{2}$ km
Q1b)	$7\frac{1}{2} \times 5 = \frac{75}{2} = 37\frac{1}{2}$ = 37 km 500 m
Q2)	$70 - 20 = 50$ $40 \times 70 = 2800$ $\frac{1}{2} \times 20 \times 70 = 700$ (A) $\frac{1}{2} \times 50 \times 40 = 1000$ (B) $1000 + 700 = 1700$ (A & B) $2800 - 1700 = 1100$ cm ²
Q3)	False False
Q4a)	$\frac{1}{2} \times 12 \times 8 = 48$ cm ²
Q4b)	$48 \times 2 = 96$ $1 \times 96 = 96$ (b) Base = 96 cm Height = 1 cm
Q5a)	$1 - \frac{1}{4} = \frac{3}{4}$ $\frac{5}{1} \times \frac{3}{4} = \frac{3}{20}$
Q5b)	$\$156 + \$60 = \$216$ $12u = \$216$ $1u = \$216 \div 12 = \18 $20u = \$18 \times 20 = \360