

**RAFFLES GIRLS' PRIMARY SCHOOL
WEIGHTED ASSESSMENT 2 2025
MATHEMATICS
PRIMARY 5**

Name: _____ ()

Class: P5 _____

Math Teacher: _____

Date: __ July 2025

Duration: 50 minutes

Total Score (Out of 30 marks)	
Parent's Signature	

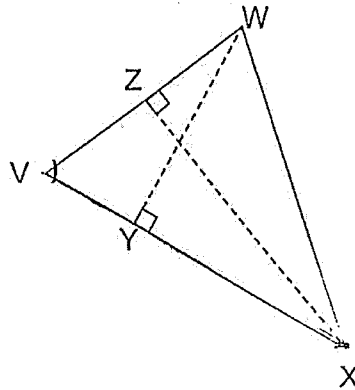
INSTRUCTIONS TO CANDIDATES

1. Do not turn over this page until you are told to do so.
2. Follow all instructions carefully.
3. Answer **ALL** questions and show all working clearly.
4. Calculator is allowed for this paper.

Questions 1 to 8 carry 2 marks each.
 Show your working clearly and write your answers in the spaces provided.
 For questions which require units, give your answers in the units stated.

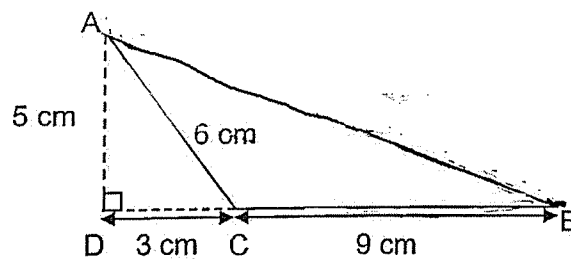
[16 marks]

- 1a. VWX is a triangle.
 If the base is VX, the height is _____.



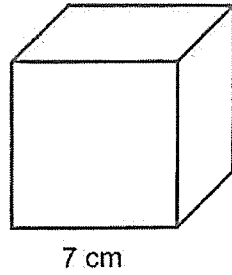
Ans: _____ [1]

- 1b. DCB is a straight line. Find the area of triangle ABC.



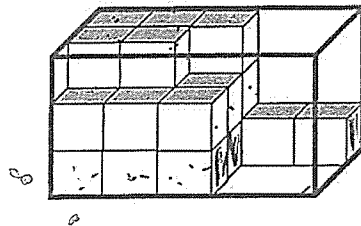
Ans: _____ cm² [1]

2a. Find the volume of the cube.



Ans: _____ cm³ [1]

2b. The figure shows some cubes in a glass tank.
How many more cubes are needed to fill the tank completely?



Ans: _____ [1]

3a. Write down a decimal between 6.2 and 6.3.

Ans: _____ [1]

3b. Arrange these decimals from the smallest to the largest:

1.09, 1.609, 1.069

Ans: _____, _____, _____ [1]

4. Convert the following

(a) 21.5 m = _____ cm

Ans: (a) _____ cm [1]

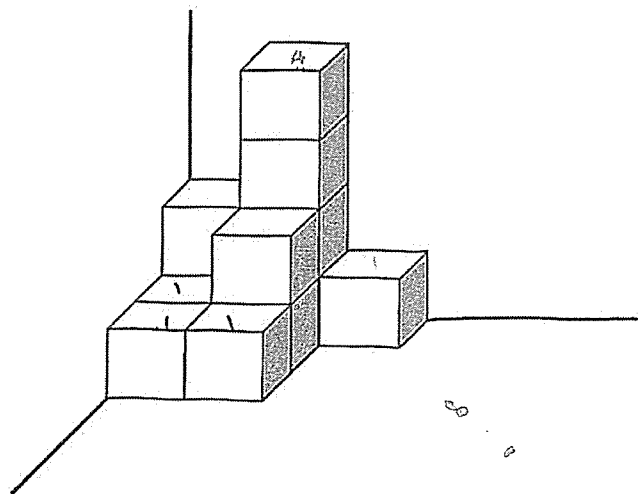
(b) 3 kg 80 g = _____ kg

Ans: (b) _____ kg [1]

5. Mr Bala bought 4.5 kg of meat. He packed them into smaller bags of 0.15 kg each. How many bags of meat did he pack?

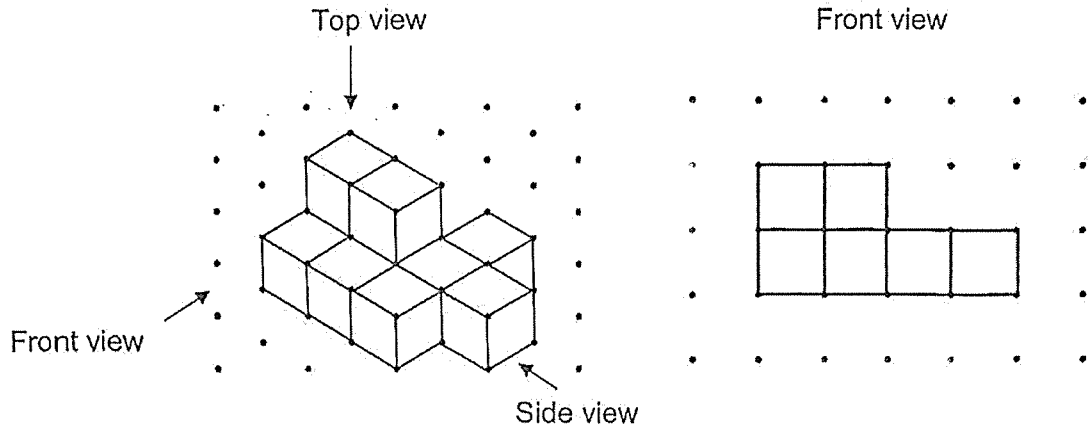
Ans: _____ [2]

6. The figure shows a solid made up of some 1-cm cubes. How many more cubes must be added to make a solid of 30 cm^3 ?

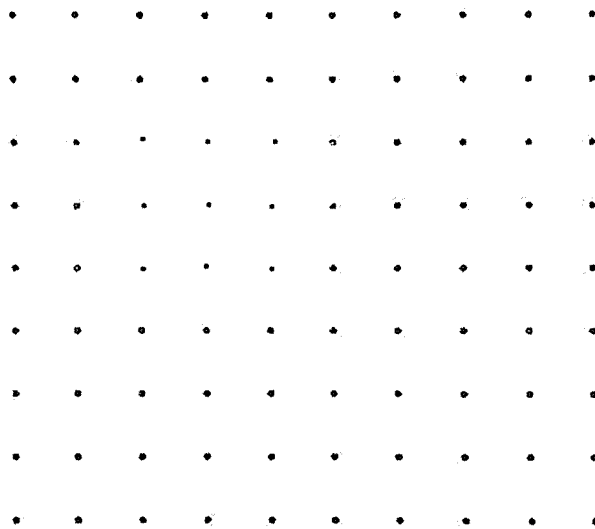


Ans: _____ [2]

7. Nisha built a solid using 10 unit cubes.
 (a) Draw the top view of the solid on the given square grid. [1]



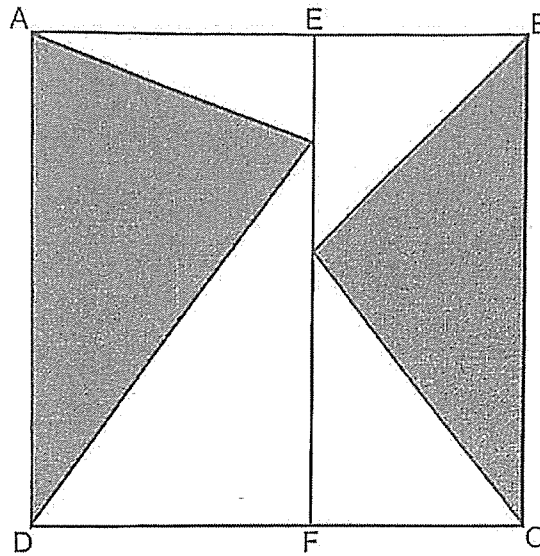
Top View



- (b) Nisha has 4 more unit cubes. What is the greatest number of unit cubes Nisha can add to the solid without changing the top view and front view?

Ans: (b) _____ [1]

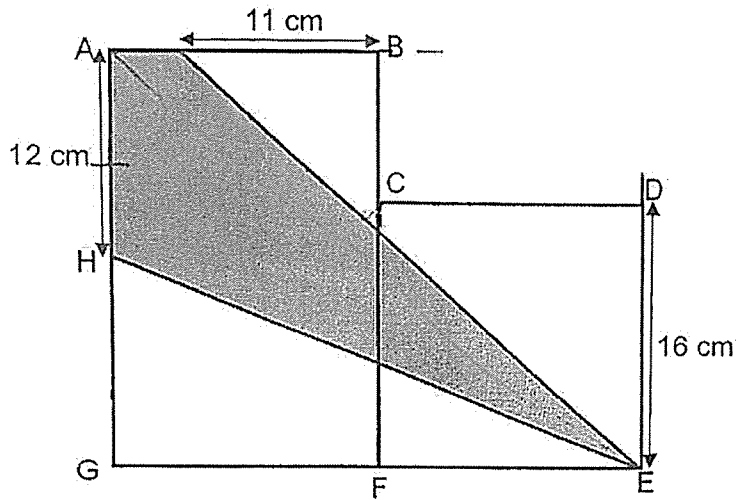
8. ABCD is a square of side 18 m. Find the total area of the shaded parts.



Ans: _____ m² [2]

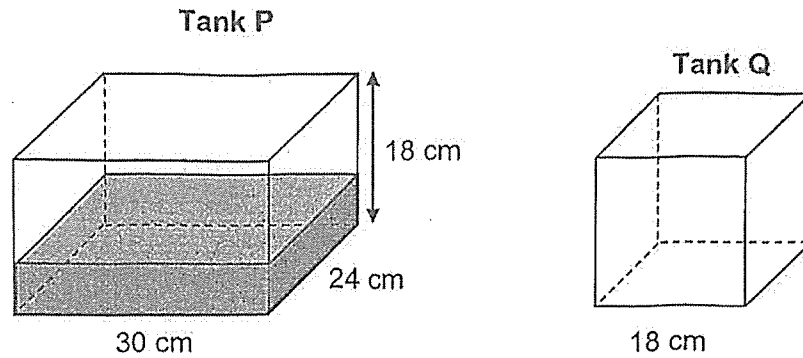
For questions 9 to 11, show your working clearly and write your answers in the spaces provided. The number of marks available is shown in the brackets [] at the end of each question or part-question. [14 marks]

9. The figure is made up of a rectangle ABFG and a square CDEF. AH = HG and GF = FE. Find area of the shaded part.



Ans: _____ [4]

10. The figure shows a rectangular tank, P and an empty cubical tank, Q. Tank P was $\frac{1}{5}$ filled with water at first. Johan poured another 1.3 ℓ of water into tank P.



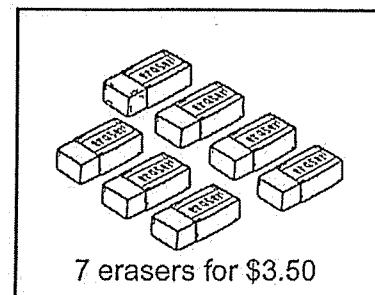
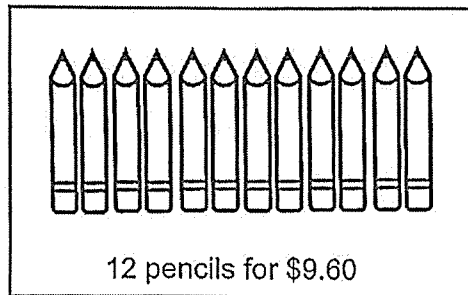
- (a) What was the total volume of water in tank P?

Ans: (a) _____ [2]

- (b) Johan poured all the water from tank P into tank Q. How much more water was needed to fill tank Q completely? Leave your answer in litres.

Ans: (b) _____ [3]

11. At a bookshop, pencils and erasers are sold only in boxes. A box of 12 pencils costs \$9.60 and a box of 7 erasers costs \$3.50.



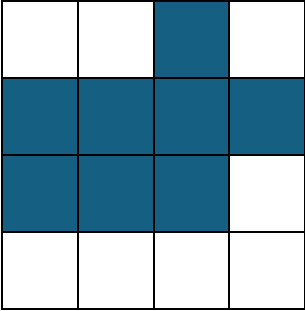
- (a) Mrs Lee needs to buy 42 pencils and 20 erasers for her art class.
What is the least amount of money that she will need to spend on the pencils and erasers?

Ans: (a) _____ [2]

- (b) Mr Ali bought 8 more pencils than erasers at the bookshop.
The total number of pencils and erasers he bought was fewer than 70.
How much did Mr Ali spend on the pencils and erasers altogether?

Ans: (b) _____ [3]

SCHOOL : RAFFLES GIRLS' PRIMARY SCHOOL
LEVEL : PRIMARY 5
SUBJECT : MATHEMATICS
TERM : 2025 WEIGHTED ASSESSMENT 2

1a)	YW
1b)	$\frac{1}{2} \times 9 \times 5 = 22.5 \text{ cm}^2$
2a)	$7 \times 7 \times 7 = 343 \text{ cm}^3$
2b)	$5 \times 3 \times 3 = 45$ $45 - 25 = 20$
3a)	6.22
3b)	1.069, 109, 1.609
4a)	2150 cm
4b)	3.08 kg
5)	$4.5 \div 0.15 = 30$
6)	$30 - 12 = 18$
7a)	
7b)	2
8)	$18 \times 18 = 324$ $324 \div 2 = 162 \text{ m}^2$
9)	$\frac{1}{2} \times 12 \times 32 = 192$ $\frac{1}{2} \times 5 \times 24 = 60$ $192 + 60 = 252 \text{ cm}^2$
10a)	$18 \times 24 \times 30 \times \frac{1}{5} = 2592$ 1.3 L = 1300 ml $2592 + 1300 = 3892$ = 3.892 L
10b)	$18 \times 18 \times 18 = 5832$ $5832 - 3892 = 1940$ 1940 ml = 1.94 L

11) a) $42 \div 12 = 3R6$
 $3 + 1 = 4$ (boxes of pencil)
 $9.60 \times 4 = 38.40$
 $20 \div 7 = 2R6$
 $2 + 1 = 3$ boxes of erasers
 $3 \times 3.50 = 10.50$
 $10.50 + 38.40 = \$48.90$
b) \$42.80