

Ai Tong School
P5 Mathematics
2025 Term 3 Review

Name : _____ () Class : 5 _____

Date : _____ Marks: _____/35

Duration: 1 hour

Parent's signature: _____

Follow all instructions. Answer all questions.
You are allowed to use a calculator.

Section A

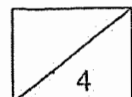
Questions 1 to 5 carry 2 marks each. Show your working clearly in the space provided for each question and write your answers in the spaces provided. For questions which require units, give your answers in the units stated. (10 marks)

- 1 The mass of 15 identical light bulbs is 3.75 kg. What is the mass of one light bulb? Express your answer in grams.

Ans: _____ g

- 2 Jasmine is able to type 180 words in 5 minutes. At this rate, how many words can she type in 1 hour?

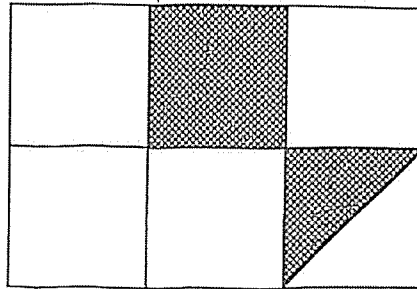
Ans: _____



3 (a) Express 0.3 as a percentage.

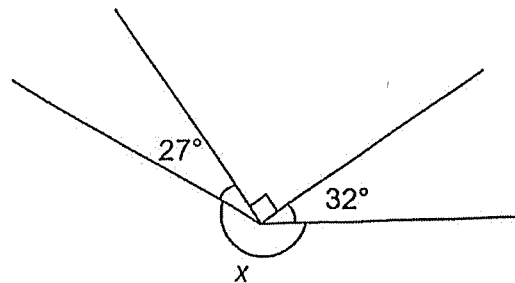
Ans: (a) _____ %

(b) The figure is made up of 6 identical squares. What percentage of the figure is shaded?

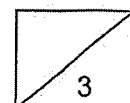


Ans: (b) _____ %

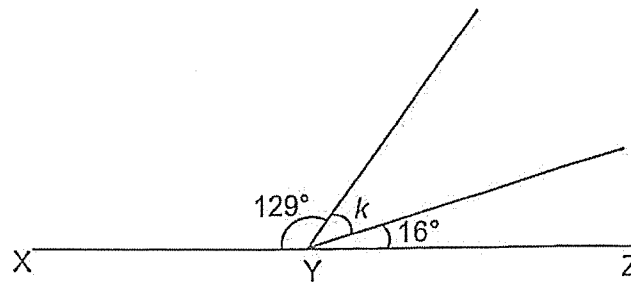
4 (a) Find $\angle x$.



Ans: (a) _____ °



- (b) In the figure, XYZ is a straight line.
Find $\angle k$.



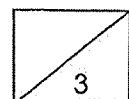
Ans: (b) _____ °

- 5 (a) There are 250 pens in a box. 74% of them are red pens and the rest are green pens. How many green pens are there in the box?

Ans: (a) _____

- (b) There were 189 girls and 126 boys at a school camp.
What percentage of the total number of children at the camp were girls?

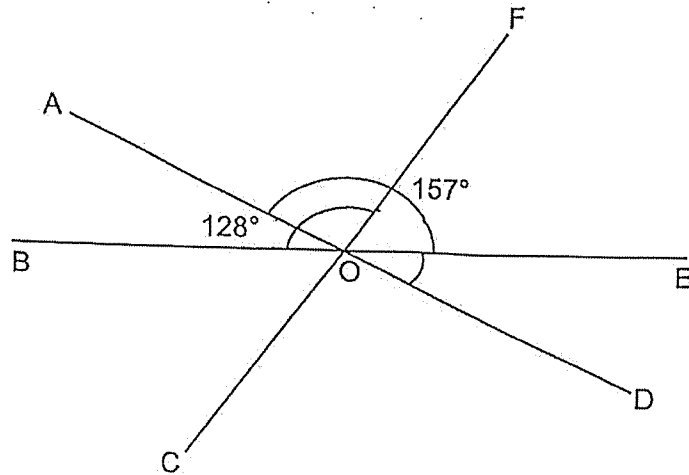
Ans: (b) _____ %



Section B

For questions 6 to 12, show your working clearly in the space provided for each question and write the answers in the spaces provided. The number of marks available is shown in the brackets [] at the end of each question or part-question. (25 marks)

- 6 In the figure below, AD, CF and BE are straight lines.
 $\angle AOE$ is 157° and $\angle BOF$ is 128° .

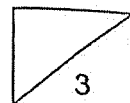


- (a) Find $\angle EOD$.

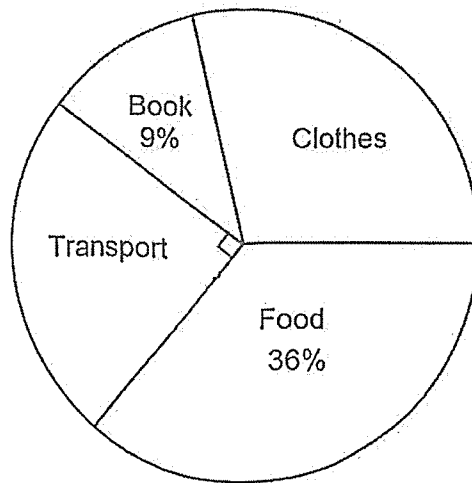
Ans: (a) _____ $^\circ$ [1]

- (b) Find $\angle AOF$.

Ans: (b) _____ $^\circ$ [2]



7 The pie chart below shows how Mrs Chin spent her money.

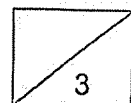


(a) What percentage of Mrs Chin's money was spent on books and clothes?

Ans: (a) _____% [1]

(b) Mrs Chin spent a total of \$350. How much money did she spend on food?

Ans: (b) \$ _____ [2]



- 8 There is a sale at a clothing store.

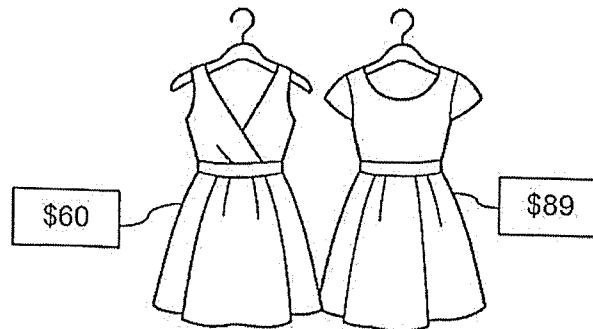
ABC Fashion

SALE

1st dress at 10% discount

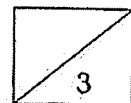
2nd dress at 15% discount

Price of 2nd dress should be equal to or lower than price of 1st dress.

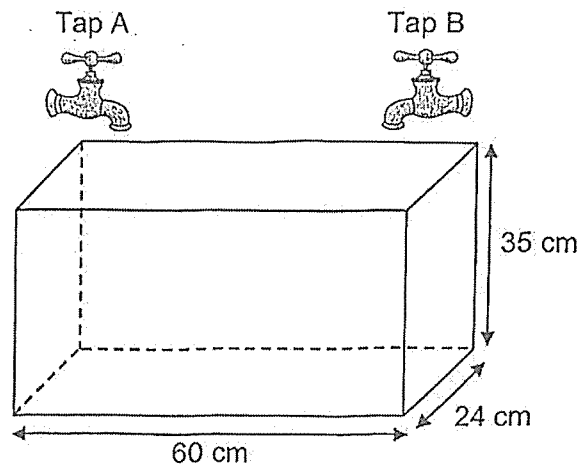


Cassandra bought two dresses. The usual prices of the dresses were \$60 and \$89. How much did she pay for the two dresses after the discount?

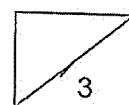
Ans: \$ _____ [3]



- 9 The figure shows an empty tank, measuring 60 cm by 24 cm by 35 cm. At 3 p.m., tap A was turned on. Water flowed into the tank from tap A at a rate of 1.4 l per minute. After 6 minutes, tap B was turned on. Water flowed into the tank from tap B at a rate of 1.6 l per minute. At what time was the tank completely filled without overflowing?



Ans: _____ [3]



- 10 The table shows the taxi charges.

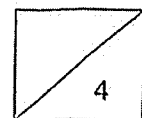
First 1 km	\$4.10
Every additional 400 m or part thereof	\$0.25

- (a) Huimin travelled 2.3 km by taxi from a shopping mall to her home. How much was her taxi fare?

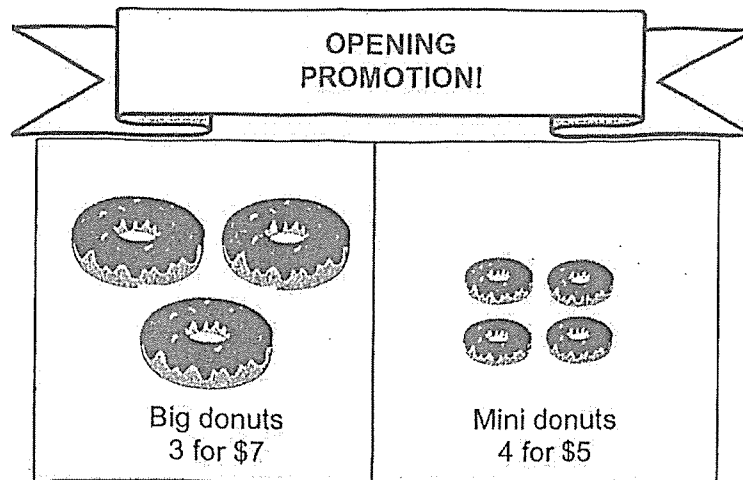
Ans: (a) \$ _____ [2]

- (b) Joshua paid \$7.35 for his taxi fare. What was the greatest possible distance of his taxi ride?

Ans: (b) _____ km [2]



- 11 There is a promotion at a new bakery.

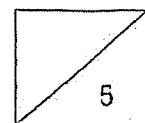


- (a) Wanda bought 12 big donuts and 12 mini donuts.
How much more money did she spend on the big donuts than on the mini donuts?

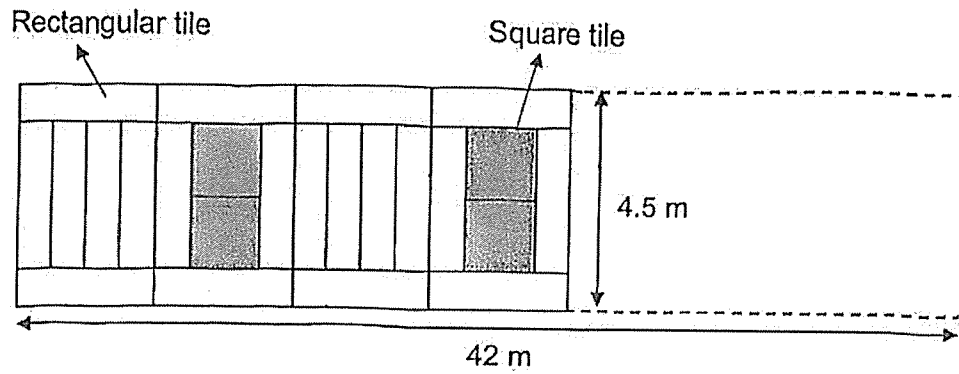
Ans: (a) \$ _____ [1]

- (b) Theo bought an equal number of big donuts and mini donuts.
He spent \$91 more on the big donuts than the mini donuts.
How many donuts did he buy in all?

Ans: (b) _____ [3]



- 12 A path was completely covered with some identical rectangular and square tiles, following the pattern shown below. The width of the path is 4.5 m wide and 42 m long.



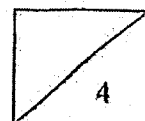
- (a) What is the length of each square tile?

Ans: (a) _____ m [2]

- (b) How many rectangular tiles were used to cover the entire path?

Ans: (b) _____ [3]

End of Paper
 --- CHECK YOUR WORK CAREFULLY ---



SCHOOL : AI TONG PRIMARY SCHOOL
LEVEL : PRIMARY 5
SUBJECT : MATHEMATICS
TERM : 2025 WEIGHTED ASSESSMENT 3

Q1)	$3.75 \text{ kg} \div 15 = 0.25 \text{ kg}$ $0.25 \text{ kg} \rightarrow 250 \text{ g}$
Q2)	$1 \text{ hour} \rightarrow 60 \text{ minutes}$ $60 \div 5 = 12$ $180 \times 12 = 2160$
Q3)	a) $0.3 = \frac{3}{10} \times 10 = \frac{30}{100} = 30\%$ b) 25%
Q4)	a) $360 - 27 - 90 - 32 = 121^\circ$ b) $180 - 129 - 16 = 35^\circ$
Q5)	a) $\frac{74}{100} \times 250 = 185$ $250 - 185 = 65$ b) $189 + 126 = 315$ $315 \div 100 = 3.15 (1\%)$ $189 \div 3.15 = 60\%$
Q6)	a) $180 - 157 = 23^\circ$ b) $180 - 128 = 52$ $180 - 52 - 23 = 105^\circ$
Q7)	a) $100 - 25 - 36 = 39\%$ b) $350 \div 100 = 3.5$ $3.5 \times 36 = \$126$
Q8)	$0.60 \times 15 = 9$ $60 - 9 = 51$ $80.10 + 51 = \$131.10$
Q9)	3:20 p.m.

Q10)	a) $2.3\text{km} - 1\text{km} = 1.3\text{km}$ $0.25 \times 4 = 100$ $4.10 + 1.00 = \$5.10$ b) $7.35 - 4.10 = 3.25$ $3.25 \div 0.25 = 13$ $400 \times 13 = 5200$ $5200 + 1000 = 6200$ $6200 \rightarrow 6.2\text{km}$
Q11)	a) Big $\rightarrow 12 \div 3 = 4$ $4 \times 7 = 28$ Small $\rightarrow 12 \div 4 = 3$ $3 \times 5 = 15$ $28 - 15 = \$13$ b) 1 group $\rightarrow 12$ big and 12 small $91 \div 13 = 7$ $7 \times 24 = 168$
Q12)	a) $2 + 4 = 6$ $4.5 \div 6 = 0.75$ $0.75 \times 2 = 1.5$ b) $1.5 \times 2 = 3$ $42 \div 3 = 14$ $14 \div 2 = 7$ $6 + 4 = 10$ $10 \times 7 = 70$